

Albeo™ LED Accessory

Emergency Battery Backup Module



Project name _____

Date _____

Type _____

Product Description:

Albeo™ expands its high bay product accessories to include an emergency battery backup option. When used in conjunction with any Albeo product, the emergency battery backup module will meet NFPA 101 requirements for egress lighting when power is not provided to a luminaire.

Applications:

- Designed to meet Life Safety Code NFPA 101 requirements
- Will provide illumination for 90 minutes while in an emergency state*
- Recommended for use with the following Albeo™ fixture families:
ABH, ABV, ALC, ALV
- Can be field installed

* Lighting layout designer to ensure that NFPA 101 is met: initial average of 1fc w/ a 0.1fc minimum. At 90 minutes of operation an average of 0.6fc w/ a 0.06fc minimum must be met. No greater than 40:1 uniformity ratio

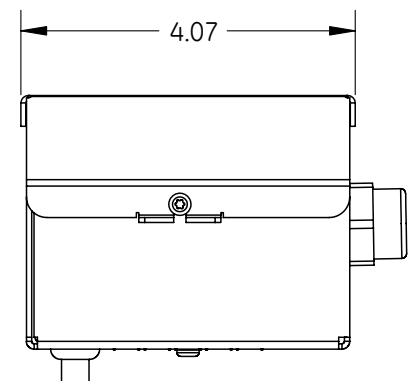
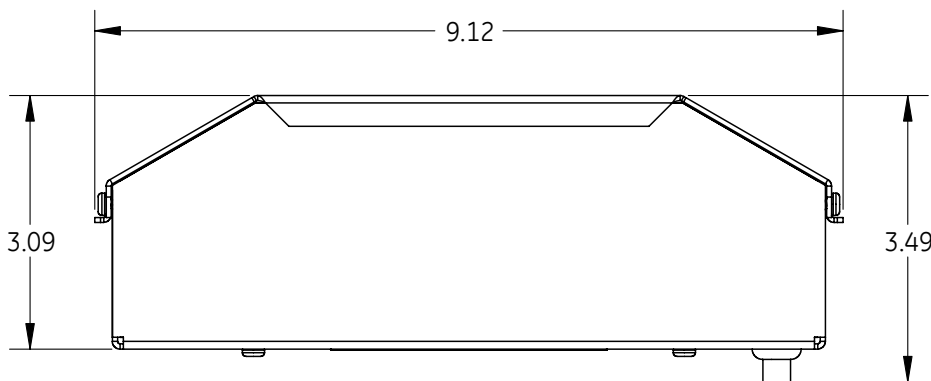
Housing:

- Stamped metal housing

LED & Optical Assembly:

- EBBM lens system enables LEDs to provide optimized illumination for open floor and racked aisles with photometric distributions of 50 and 120 degrees.
- Utilizes high brightness LEDs, 70 CRI at 5000K CCT typical
- LM-79 tests and reports are performed in accordance to IESNA standards.

Product Dimensions:



Ratings:

- RoHS
- UL 924 Emergency Lighting and Power Equipment
- Temperature Rated at 0°C to +50°C (32°F to 122°F)

Mounting:

- ½" NPS chase nipple

Finish:

- Standard color: White

Electrical:

- 120-277V
- EMI: Title 47 CFR 15 Class A
- Charge Mode Power: < 4W

Albeo™ LED Accessory

Emergency Battery Backup Module



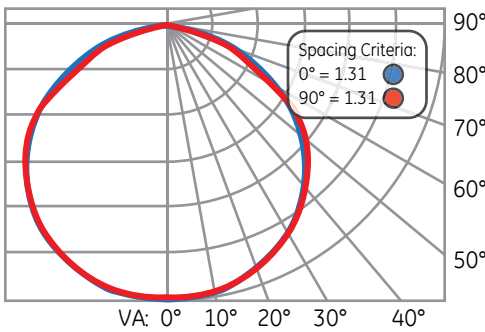
Ordering Information:

- Use the following option code when ordering Albeo™ luminaries:
 - EL1** for 120° beam pattern
 - EL5** for 50° beam pattern
 - (Example: ABV1xxxxxxxxxxxxxxxxEL1)
- Use the following ordering codes when ordered as a field installable unit:
 - 93059500 - ASM2429** for 120° beam pattern
 - 93059499 - ASM2430** for 50° beam pattern

OPTION CODE	TYPICAL INITIAL LUMENS 70 CRI / 5000K	TYPICAL SYSTEM WATTAGE	MAXIMUM AMBIENT TEMPERATURE	PRODUCT WEIGHTS
EL1 or ASM2429 - 93059500	1750	up to 4W	50°C	EL1 - 2 lbs.
EL5 or ASM2430 - 93059499	1650	up to 4W	50°C	EL5 - 2 lbs.

Photometrics:

**Polar Candela Distribution
120° Full Beam Angle (EL1)**



**Polar Candela Distribution
50° Full Beam Angle (EL5)**

