

# IMPORTANT SAFEGUARDS

## READ AND FOLLOW ALL SAFETY INSTRUCTIONS

When using electrical equipment, basic safety precautions should always be followed including the following:

This equipment is designed for use with germicidal UV radiation sources and must be installed in compliance with competent technical directions to prevent risk of personal injury from UV radiation.

UV radiation can pose a risk of personal injury. Overexposure can result in damage to eyes and bare skin. To reduce the risk of overexposure this equipment must be installed in accordance with the manufacturer's site planning recommendations. This may include instructions on the relative location of each germicidal system component, the minimum distances between UV-generating devices and other objects or surfaces, and protection from line-of-sight exposure to UV radiation in occupied spaces located above the equipment mounting area (e.g. upper floor balconies, open staircases, etc.)

UV and optical radiation can be reflected by surrounding surfaces such as ceilings and walls. Since the reflective properties of surfaces can vary widely, it should be considered as part of site planning. Follow the manufacturer's recommendations for selecting appropriate ceiling and wall finishes.

IT IS THE RESPONSIBILITY OF THE INSTALLER TO ENSURE THAT PERSONS WILL NOT BE EXPOSED TO EXCESSIVE UV OR OPTICAL RADIATION DURING EQUIPMENT OPERATION. THIS WILL REQUIRE THE INSTALLER TO CONDUCT AN ASSESSMENT OF IRRADIANCE OR ILLUMINANCE LEVELS IN THE SURROUNDING OCCUPIED SPACES PRIOR TO OCCUPANCY.

Equipment should be mounted in locations and at heights where it will not readily be subjected to tampering by unauthorized personnel.

Maintenance and servicing of this UV generating equipment shall be performed by authorized personnel. Service personnel must wear appropriate Personal Protective Equipment (PPE) if the equipment will be in operation during the maintenance or servicing work. Contact the equipment manufacturer for PPE recommendations and guidance.

The use of accessory equipment not recommended by the manufacturer may cause an unsafe condition.

Do not use this equipment for other than intended use.

**Luminaires using Current's 365DisInFx™ technology are not intended to be used as medical devices and are not registered as such under any applicable laws.**

## SAVE THESE INSTRUCTIONS

# 365DisInFx™ LED Luminaires LPU Series-UVC (120-277V)



## BEFORE YOU BEGIN

Read these instructions and the Application Design Guide (IND701) for LPU Series layout completely and carefully.

## Save These Instruction

Use only in the manner intended by the manufacturer.

If you have any questions, contact the manufacturer.

Installation and servicing should be performed by qualified personnel.



### ⚠ WARNING/AVERTISSEMENT

#### RISK OF ELECTRICAL SHOCK

- Turn power off before inspection, installation or removal.
- Properly ground electrical enclosure.

#### RISQUE D'ÉLECTROCUTION

- Coupez l'alimentation avant l'inspection, l'installation ou l'enlèvement du luminaire.
- Assurez-vous de correctement mettre à la terre le boîtier d'alimentation électrique.

### ⚠ WARNING/AVERTISSEMENT

#### RISK OF FIRE

- Follow all NEC and local codes.
- Use only UL approved wire for input/output connections. Minimum size 18 AWG (0.75mm<sup>2</sup>).

#### RISQUES D'INCENDIE

- Respectez tous les codes NEC et codes locaux.
- N'utilisez que des fils approuvés par UL pour les entrées/sorties de connexion. Taille minimum 18 AWG (0.75mm<sup>2</sup>).

### ⚠ CAUTION/ATTENTION

- Turn power off prior to installation; risk of UV exposure.
- Coupez l'alimentation avant d'installer; risque d'exposition à un rayonnement UV.
- Wear appropriate Personal Protective Equipment (PPE).
- Portez les équipements de protection individuelle (EPI) appropriés.
- This product contains components that may be susceptible to Electrostatic Discharge (ESD) under certain conditions. As a precaution avoid touching the LEDs that are exposed through the plastic cover.

## Tools and Components Required:

- LPU Series fixture
- Slot or Phillips head screwdriver
- UL Listed conduit connections per NEC/CEC for nominal conduit trade sizes 1/2" or 3/4"
- UL Listed wire connectors
- Wire cutters
- Appropriate Personal Protective Equipment (PPE)

## Components Supplied:

- (1) UVC LED module
- (1) BZ50 Power Pack
- (1) Mounting Plate
- (1) 6ft Plenum Rated Cables
- (2) #8-32 x 3/4in Screws

## Prepare Electrical Wiring



### Electrical Requirements

- The LED luminaire must be connected to the mains supply according to its ratings on the product label.



### Grounding Instructions

- The grounding and bonding of the overall system shall be done in accordance with National Electric Code (NEC) and local codes.

## For Technical Support, Please Contact:


- By phone: **1-888-694-3533**
- By Email: [lightingprodinfo@gecurrent.com](mailto:lightingprodinfo@gecurrent.com)

# IMPORTANT NOTES — PLEASE READ Before Installing

## Mounting Height:

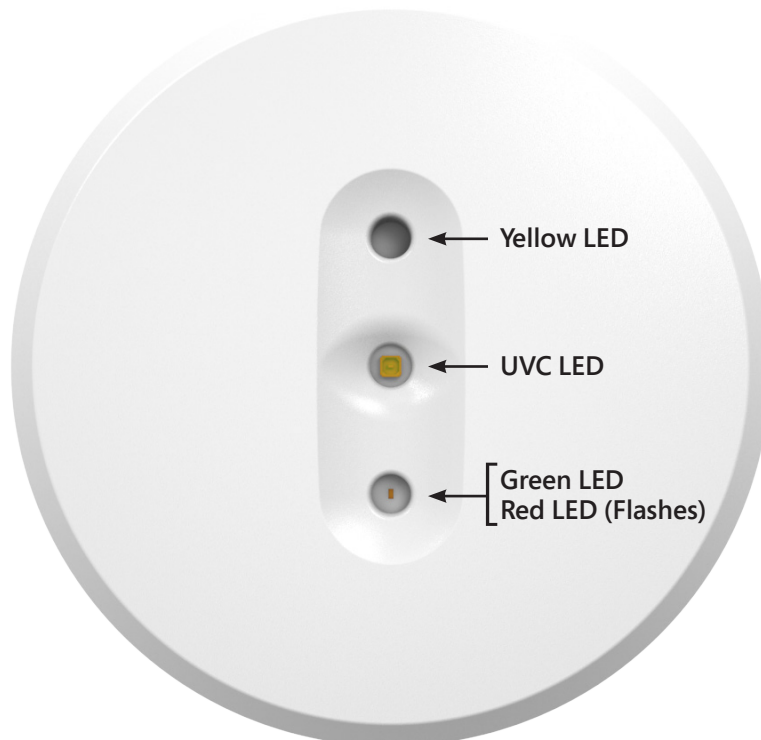
- This installation guide is to be used in conjunction with the Application Design Guide (IND701) for LPU Series layout.
- LPU10ADQQSTxxWHTE, where xx defines the mounting height per the table below.
- This product can only be installed as part of an indoor ceiling.
- Product must be inspected once a month to verify normal operation.

Cat-Logic 'xx'	Mounting Height
08	8'6" up to 9'
09	9' up to 10'
10	10' up to 11'
11	11' and higher

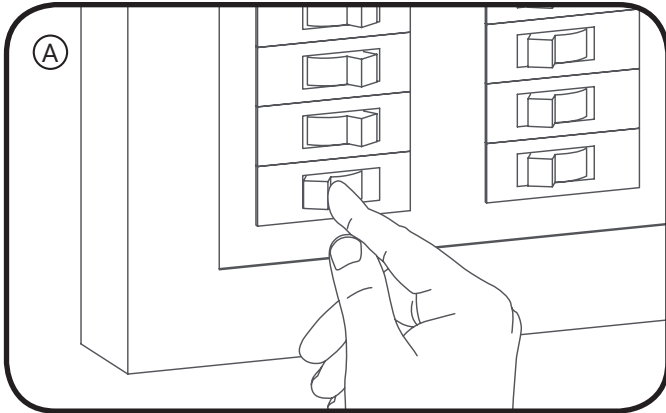
 <b>CAUTION/ATTENTION</b>
<p><b>RISK OF PERSONAL INJURIES FROM UV RADIATION &amp; RISK OF REDUCED PATHOGEN INACTIVATION</b></p> <ul style="list-style-type: none"> <li>• Mount Product within the assigned mounting height range.</li> <li>• Install according to approved layout by Current and confirm any changes by Current.</li> </ul>

## GENERAL VISUAL AND AUDIBLE INDICATOR OPERATION

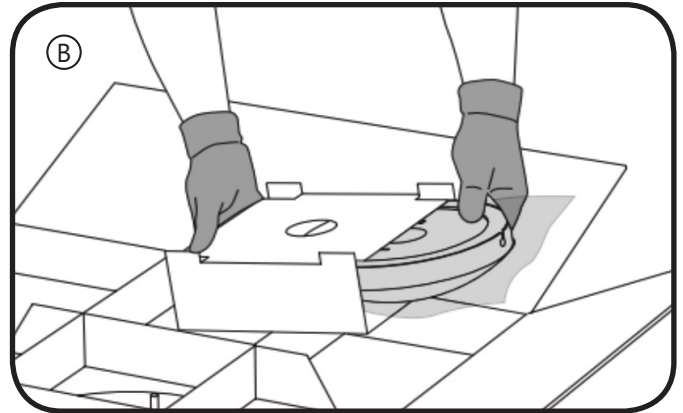
LED Indicator	Green	Yellow	Red
<b>Status</b>	On = Power On	On = UV On	Flashing and audible alarm = Fault
<b>Action</b>	Normal Operation	Normal Operation	Perform a Power Cycle, if Fault continues replace unit



## ① Installation



For safety, turn off main power prior to installation.



Carefully unpack unit from its packaging. Properly inspect for defects before installing. Wear work gloves to prevent dirt and oil from being transferred to the unit.

## ② Electrical Connections

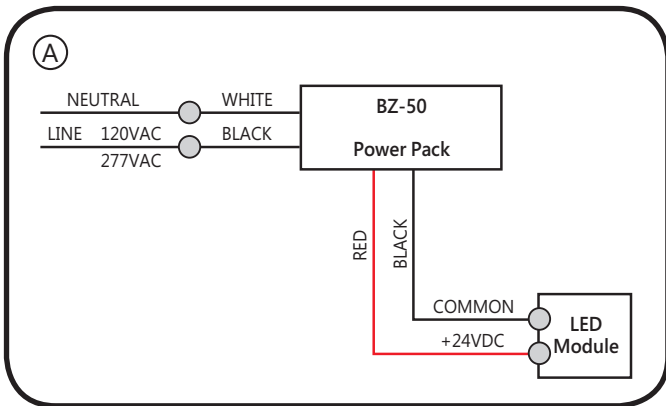
**⚠ WARNING/AVERTISSEMENT**

**RISK OF ELECTRICAL SHOCK**

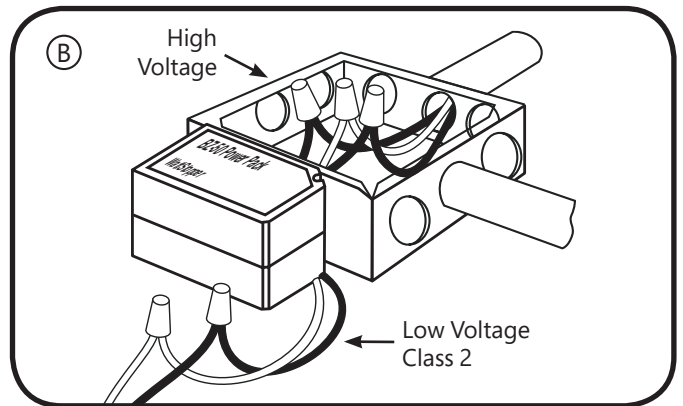
Disconnect power before servicing or installing product.

**RISQUE DE CHOC ÉLECTRIQUE.**

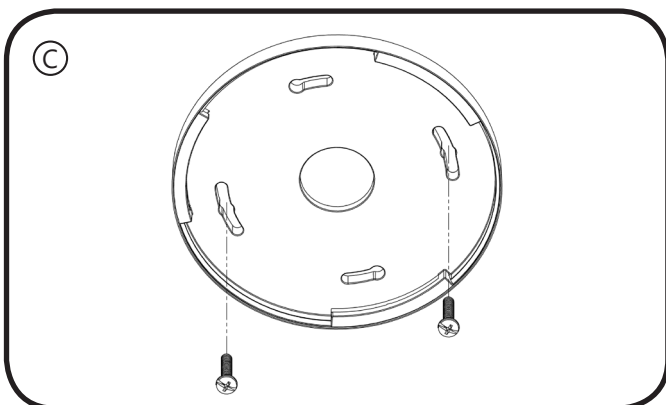
Couper l'alimentation avant le dépannage ou avant l'installation du produit.



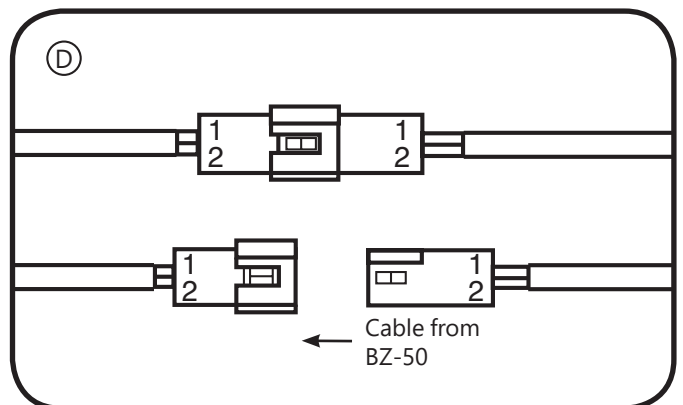
**Notes:** The LED Module must be used with BZ50, as Provided.



Install the BZ50 to a junction box and make the appropriate AC connection. (Junction box not provided).

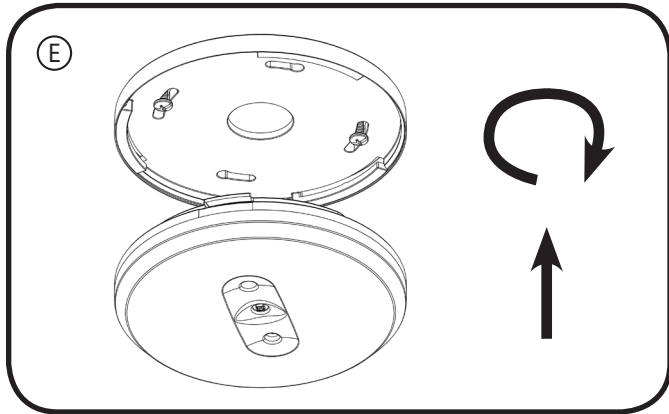


Install the mounting plate. If installing to a junction box, ensure that no AC / Class 1 circuitry is present. (Junction box not provided)

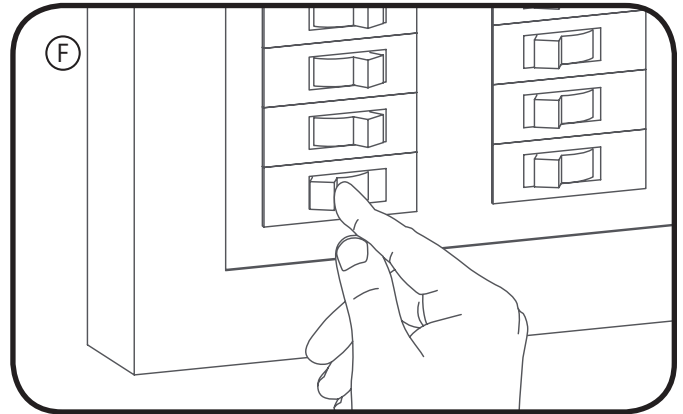


Connect the Plenum Rated Cable provided to the Power pack's low voltage wires and the LPU LED module.

## ② Electrical Connections

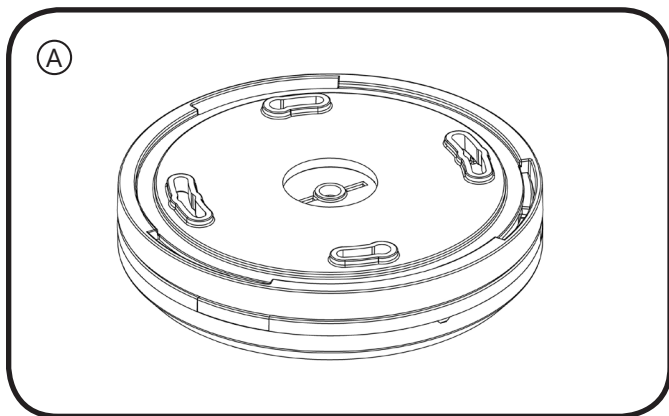


Insert the LED module into the mounting plate, twist LED module clockwise until a 'click' sound is made, locking the LED module in place.

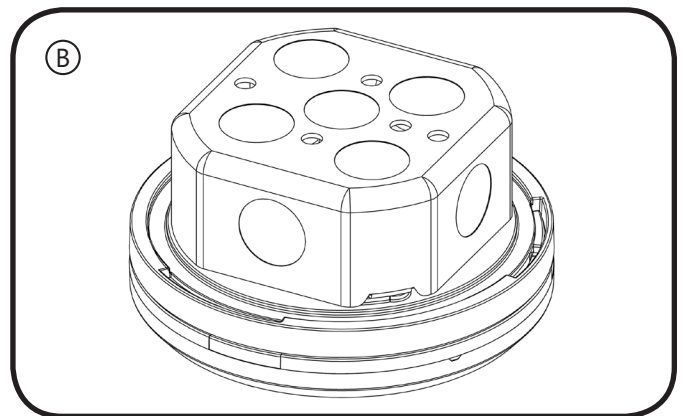


Turn on the breaker and ensure the Green and Yellow LED are on. Turn on unit when all personnel are located in the occupied space. Occupied space is defined as the area in a room within 7ft of the floor.

## ③ Mounting Options



Direct install on Drywall.



Direct install on Junction box. **Note:** junction box not provided)

### FCC Statements:

Luminaires using Current's 365DisInFx™ technology are not intended to be used as medical devices and are not registered as such under any applicable laws.

This device complies with part 15 of the FCC rules for the United States and Industry Canada (IC) license exempt RSS standard(s). Operation is subject to the following two conditions:

(1) This device may not cause harmful interference, and (2) this device must accept any interference received, including interference that may cause undesired operation. Any changes or modifications not expressly approved by the manufacturer could void the user's authority to operate this equipment. This product is intended for commercial use only.

This device complies with Part 15 of the FCC Rules. Operation is subject to the following two conditions: (1) This device may not cause harmful interference, and (2) this device must accept any interference received, including interference that may cause undesired operation. CAN ICES-005 (A) / NMB-005 (A)

**Note:** This equipment has been tested and found to comply with the limits for a Class A digital device, pursuant to part 15 of the FCC Rules. These limits are designed to provide reasonable protection against harmful interference when the equipment is operated in a commercial environment. This equipment generates, uses, and can radiate radio frequency energy and, if not installed and used in accordance with the instruction manual, may cause harmful interference to radio communications. Operation of this equipment in a residential area is likely to cause harmful interference in which case the user will be required to correct the interference at his own expense. class [A] cumple con la norma canadiense CAN ICES-005 (A) / NMB-005 (A). Ce DEFR de la classe [A] est conforme à la NMB-005 du Canada.

### Questions:

**Web:** [products.gecurrent.com](http://products.gecurrent.com) | **Phone:** 1-866-855-8629

All product and company names are trademarks™ or registered® trademarks of their respective holders. Use of them does not imply any affiliation with or endorsement by them. All specifications are subject to change without notice.

These instructions do not purport to cover all details or variations in equipment nor to provide for every possible contingency to be met in connection with installation, operation or maintenance. Should further information be desired or should particular problems arise which are not covered sufficiently for the purchaser's purposes, the matter should be referred to GE current.

Ces instructions ne prétendent pas couvrir tous les détails ou variantes de l'équipement ni couvrir toutes les conditions possibles à satisfaire en rapport avec l'installation, l'opération ou l'entretien. Si des informations supplémentaires sont souhaitées sur des aspects qui ne sont pas suffisamment couverts pour satisfaire les besoins du client, ou si des problèmes particuliers se présentent, veuillez adresser ces questions à GE current.