

Daintree™ People Counting Sensor (WMZ10)



The **Daintree™ People Counting Sensor (WMZ10)** is part of the Daintree product portfolio, an open networked wireless controls solution for lighting and building control, monitoring, and optimization. Daintree controls provide a highly scalable solution to address evolving environmental regulations and transform spaces into intelligent environments for buildings of all sizes.

Consisting of three components, Daintree includes sensors and controls at the edge, an open API cloud platform, and software applications to help facility managers make decisions based on how space and assets are actually being used using a data-rich sensor network. Benefits of adding wireless Daintree controls include:

- Up to 50% Energy savings across lighting, HVAC, plug load, fans and more
- Visibility into energy usage, trends and insights to optimize operations
- Automated demand response, superior comfort and lower maintenance expense
- Regulatory compliance with IECC 2018, ASHRAE 90.1 2016, and Title 24.

The WMZ10 utilizes the Daintree Enterprise wireless network for dimmable light luminaire control, daylight harvesting, occupancy detection and non-camera based people counting. Additionally, the WMZ10 is capable of advertising BLE beacons to enable Indoor Positioning Solutions.

The WMZ10 can be installed either integral in the LED fixture or in a standalone configuration and is suitable for Plenum use. The WMZ10 is able to provide improved occupancy detection with true presence detection, a feature that is not available with standard occupancy sensing technology. When installed within an LED fixture, the WMZ10 enables wireless dimmable light and on/off luminaire control.

- Uses thermopile array technology to identify people count
- Advanced people count algorithm runs locally on the sensor
- Non-camera based, no personally identifiable information
- Zigbee enabled with integral BLE beacon
- No expensive ethernet cable wiring required
- Data made available via Haystack API framework

The WMZ10 People Count Sensor can be powered by a range of compatible power supplies.

The list of compatible power supplies can be found on page 3

Ordering Information:

SKU	Description	Model Number
93119594	WMZ10 Sensor Kit	LSAATMFM6



Daintree Network Architecture



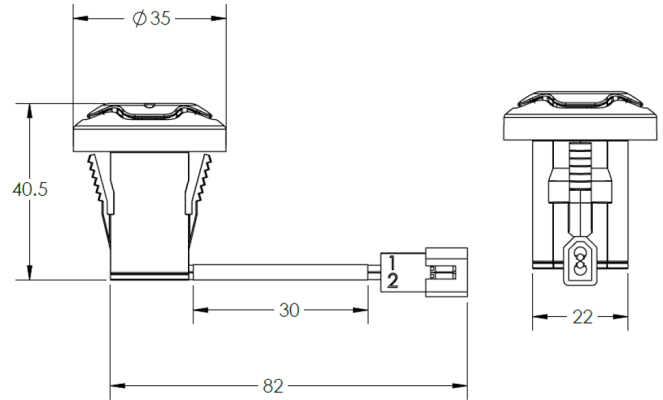
People Counting Sensor (WMZ10)

Daintree™ People Counting Sensor (WMZ10)

Specifications	
Sensor Type	People Counting, Occupancy, Light
Dimensions	See product dimensions on pg 2
Weight	0.016 kg
Voltage Rating	9.5 - 24 VDC, Class 2*
Current Consumption	50 mA
Ambient Temperature: People Counting	10 - 30°C (indoor)
Ambient Temperature: Operating	0 - 50°C (indoor)
Status Indicator	LED pattern indicates network join status
Connections	See installation instructions
Mounting	Knockout: Trade Size 1/2, Diameter 7/8" Panel: Hole Diameter 7/8" (22mm)
Mounting Height	9 - 11 ft., recommended to be spaced 8 ft. apart on the x,y grid
Warranty	5 years @ 35°C Ambient / 40% RH

Product Dimensions

Note: Dimensions shown in mm.



Certifications



FCC ID: 2AS3F-WMZ10
IC: 25008-WMZ10

*Note: See Power Supply Compatibility List on page 3 for power supplies that are approved for use with the WMZ10

Sensor Installation and Coverage



The sensor shall be installed and commissioned by a trained individual. Please reference the installation guide for more detailed instructions.

Please note, that the sensor shall be installed with the arrow (on lens) facing North. It is important that the sensors are all oriented in the same direction to ensure optimal performance.

Mounting Height (ft.)	Maximum Coverage (sq. ft.)
9	64 (8 ft. x 8 ft. Square)
10	81 (9 ft. x 9 ft. Square)
11	100 (10 ft. x 10 ft. Square)

Daintree™ People Counting Sensor (WMZ10)

Compatible Power Supplies - Standalone Configuration

Supply Name	Pole	Maximum Number of WMZ10 per PSU
GE WA100-PM	NA (CSA)	3
GE WGA100	NA (CSA)	3
GE LCABAOTWUNGALV	NA (cUL)	4
Wattstopper BZ-50	NA (cUL)	6
Lunatone DALI PS	EU (CE) & NA UL Recognized	6
Tridonic DALI PS1	EU (CE)	5
Tridonic DALI PS2	EU (CE)	6
Tridonic DALI PS3	EU (CE)	2

Compatible Power Supplies - Fixture Integrated

Supply Name	Pole	Maximum Number of WMZ10 per PSU
GE CID Drivers: GED36MCC2P700	NA (cUL)	1
GE CID Drivers: GED50MCC2P1000	NA (cUL)	1
GE CID Drivers: GED100MCC2P480	NA (cUL)	1
GE Interface Module: GEMOD/DB010	NA (cUL)	1
GE LCA Kit: LCAMBA0SQFM	NA (cUL)	1
GE Daintree Fixtures with Control Option "SQ"	NA (cUL)	1

Note: Only Power Supplies listed on the compatibility matrix are approved to be used with the WMZ10

Note: Connect the WMZ10 only to the approved Power Supplies listed above. PSU must be less than 15VA. Failure to comply will void the UL listing and the manufacturer's warranty.

Note: The maximum wire length of the connection between the WMZ10 and compatible power supply shall be less than 30 meters.