

Lumination™ LED Luminaires

LED Track Light LTC
Track Series



Project name _____

Date _____

Type _____

Product Description:

Lumination™ LTC Series LED Track Lights are designed for retail, restaurant, and office applications to deliver superior light where a smaller, less obtrusive fixture is required. Die-cast precision machined housings create a solid, quality product that delights contractors and designers alike. Place the LTC in any setting with field changeable optics, optional accessories and multiple beam angles and colors.

Performance Summary:

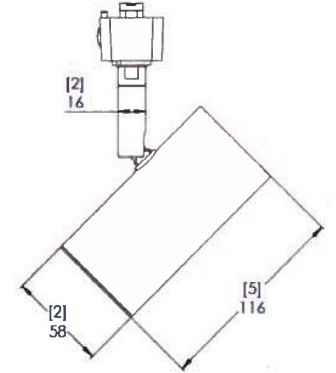
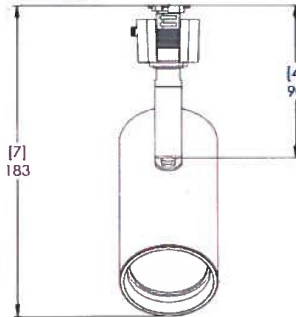
Lumens: 600 lm, 916 lm
Beam Distribution: Spot (12°), Flood (25°), Wide Flood (38°)
Lumens: 750, 1100, 1850lm
Beam Distribution: Narrow Flood (17°), Flood (25°), Wide Flood (38°)
Wattage: 9.3W, 13.5W, 20.6W
Efficacy: 61.5 to 92.5 LPW
Input Voltage: 120V
CCT: 2700K, 3000K, 3500K and 4000K
Typical CRI: 90 CRI with R9>50
Dimming: Triac & ELV (Forward & Reverse Phase) dimming standard, down to 10%
Lifetime Rating: L85 @ 50,000 Hours
Limited Warranty: 5 years

Certified by:

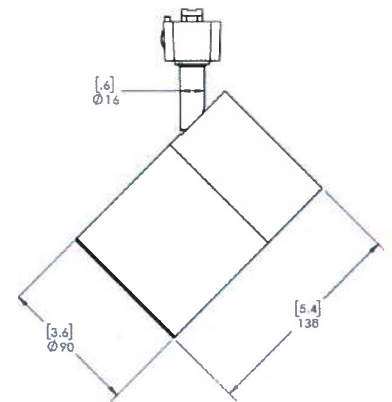
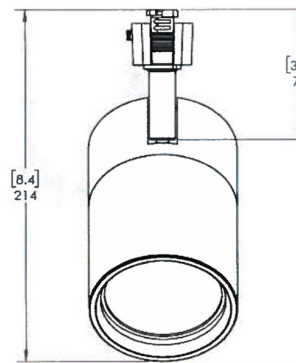


Product Dimensions:

LTCIDA106 / LTCIDA108 / LTCIDA110 / LTCIDA111



LTCIDA118



Ordering Information:

Example: **LTCIDA106WF930PQJ1WHITE** - 9.3 Watts, 600 lumens, 3000K CCT, 90 CRI, Wide Flood Beam Spread, Phase Dimmable, White housing, Juno track adapter

PRODUCT FAMILY	DRIVER TYPE	GENERATION	VOLTAGE	NOMINAL LUMENS	DISTRIBUTION	CRI	CCT	DIMMING	CONTROLS	MOUNTING	FINISH
LTC	ID = Integrated Driver	A = 1st Generation	1 = 120V	06 = 600 lm 10 = 916 lm 08 ¹ = 750 lm 11 ¹ = 1100 lm 18 ¹ = 1850 lm <small>¹Not EnergyStar Certified</small>	SP = Spot-12° FL = Flood-25° WF = Wide Flood-38° NF = Narrow Flood-17° FL = Flood-25° WF = Wide Flood-38°	8 ² = 80 CRI 9 = 90 CRI <small>²80CRI only available for Lumen 06 option</small>	27 = 2700K 30 = 3000K 35 = 3500K 40 = 4000K	P = Phase Dimming	Q = None	J1 = Juno 1&2 circuits (compatible with Contech) G1 = Global Ecosystem (GES) 1&2 circuits L2 = Lightolier Lytespan 1&2 circuits	WHITE = White BLCK = Black SLVR ³ = Silver <small>³Contact Manufacturer for Lead Time</small>

Claims at 90 CRI

LUMEN CODE	CCT	LUMENS	WATTS	LPW
06*	2700	540	9.3	58
	3000	570	9.3	61
	4000	600	9.3	65
10	2700	870	13.5	64
	3000	916	13.5	68
	4000	940	13.5	70

LUMEN CODE	CCT	LUMENS	WATTS	LPW
08	2700	710	9.3	76
	3000	750	9.3	81
	4000	790	9.3	85
11	2700	1054	13.5	78
	3000	1110	13.5	82
	4000	1139	13.5	84
18	2700	1550	20.6	75
	3000	1850	20.6	90
	4000	1900	20.6	92

NOTE: 3500K same performance as 3000K

GE current
a Daintree company

LTC Accessories

SKU	CAT LOGIC	DESCRIPTION
93042889	LTCASNWHITE	LTC WHITE SNOOT
93042890	LTCASNBLCK	LTC BLACK SNOOT
93043839	LTCCHX	LTC HEXCEL LOUVER

Lumination™ LED Luminaires

Compatible Dimmers & Field Changeable Optics: Lumination™ LTC Series

COMPATIBLE PHASE-CUT DIMMERS 10%-100% DIMMING RANGE	
Dimmer Brand	Dimmer Model
Leviton	6673-10W
	IPI06-1LW
	RPI06-1LW
	81000-W
	6621-W
	6641-W
	VP106-1LX
	6682
	VPM06-1LX
	6633-PLW
Lutron	S-603PGH-WH-C
	LX-600PL
	TG-600PNLH-WHCSA
	S-600H-WH-CSA
	DNG-600PH-IV-CSA
	DVCL-153P
	DV-600PH-WH-CSA
SLV-600PH-WH-CSA	
Cooper	OS106D1
	D106P-BK-K
	SI061-A-K
	TI061-W-K
	RI-06P-VW-K2
Acenti	9530-PT (Rev A)
	EP-003-ATI06-22A
Uberhaus	46355006

NOTE: The dimming range will be dependent on each specific dimmer



Field Installable Optical Accessories

PRODUCT DESCRIPTION	QUANTITY	MATERIAL DESCRIPTION	SKU	DISTRIBUTION
LTC 06/10 SPOT LENS BLACK	10	AK-LTC-GEN1-LE-XX-X0-BLCK-SP-10	93096137	SPOT
LTC 06/10 FLOOD LENS BLACK	10	AK-LTC-GEN1-LE-XX-X0-BLCK-FL-10	93096138	FLOOD
LTC 06/10 WIDE LENS BLACK	10	AK-LTC-GEN1-LE-XX-X0-BLCK-WF-10	93096139	WIDE FLOOD
LTC 06/10 SPOT LENS WHITE	10	AK-LTC-GEN1-LE-XX-X0-WHTE-SP-10	93096140	SPOT
LTC 06/10 FLOOD LENS WHITE	10	AK-LTC-GEN1-LE-XX-X0-WHTE-FL-10	93096141	FLOOD
LTC 06/10 WIDE LENS WHITE	10	AK-LTC-GEN1-LE-XX-X0-WHTE-WF-10	93096142	WIDE FLOOD
LTC 08/11 NARROW LENS BLACK	10	AK-LTC-GEN2-LE-XX-X0-BLCK-NF-10	93096143	NARROW FLOOD
LTC 08/11 FLOOD LENS BLACK	10	AK-LTC-GEN2-LE-XX-X0-BLCK-FL-10	93096144	FLOOD
LTC 08/11 WIDE LENS BLACK	10	AK-LTC-GEN2-LE-XX-X0-BLCK-WF-10	93096145	WIDE FLOOD
LTC 08/11 NARROW LENS WHITE	10	AK-LTC-GEN2-LE-XX-X0-WHTE-NF-10	93096146	NARROW FLOOD
LTC 08/11 FLOOD LENS WHITE	10	AK-LTC-GEN2-LE-XX-X0-WHTE-FL-10	93096147	FLOOD
LTC 08/11 WIDE LENS WHITE	10	AK-LTC-GEN2-LE-XX-X0-WHTE-WF-10	93096148	WIDE FLOOD
LTC 08/11 TESTER	10	AK-LTC-GEN1-LE-XX-X0-XXXX-TESTER	93096149	MISC
LTC 08/11 TESTER	10	AK-LTC-GEN2-LE-XX-X0-XXXX-TESTER	93096150	MISC

QuickShip Products

SKU	CAT LOGIC	DESCRIPTION	QUICKSHIP LOT SIZE	QUICKSHIP LEAD TIME
93042339	LTCIDA106SP927PQL1WHTE	LTC, 120V, 600 lumen, 90 CRI, 2700K, Spot, Lightolier Adapter, White	1-40	1 week
93042342	LTCIDA106SP930PQJ1WHTE	LTC, 120V, 600 lumen, 90 CRI, 3000K, Spot, Juno Adapter, White	1-40	1 week
93042343	LTCIDA106SP930PQJ1BLCK	LTC, 120V, 600 lumen, 90 CRI, 3000K, Spot, Juno Adapter, Black	1-40	1 week
93042345	LTCIDA106SP930PQG1WHTE	LTC, 120V, 600 lumen, 90 CRI, 3000K, Spot, Global Adapter, White	1-40	1 week
93042346	LTCIDA106SP930PQG1BLCK	LTC, 120V, 600 lumen, 90 CRI, 3000K, Spot, Global Adapter, Black	1-40	1 week
93042141	LTCIDA106SP835PQL1WHTE	LTC, 120V, 600 lumen, 80 CRI, 3500K, Spot, Lightolier Adapter, White	1-40	1 week
93042357	LTCIDA106SP935PQL1WHTE	LTC, 120V, 600 lumen, 90 CRI, 3500K, Spot, Lightolier Adapter, White	1-40	1 week
93042406	LTCIDA106WF927PQJ1BLCK	LTC, 120V, 600 lumen, 90 CRI, 2700K, Wide Flood, Juno Adapter, Black	1-40	1 week
93042414	LTCIDA106WF930PQJ1WHTE	LTC, 120V, 600 lumen, 90 CRI, 3000K, Wide Flood, Juno Adapter, White	1-40	1 week
93042415	LTCIDA106WF930PQJ1BLCK	LTC, 120V, 600 lumen, 90 CRI, 3000K, Wide Flood, Juno Adapter, Black	1-40	1 week
93042420	LTCIDA106WF930PQL1WHTE	LTC, 120V, 600 lumen, 90 CRI, 3000K, Wide Flood, Lightolier Adapter, White	1-40	1 week
93042418	LTCIDA106WF930PQG1BLCK	LTC, 120V, 600 lumen, 90 CRI, 3000K, Wide Flood, Global Adapter, Black	1-40	1 week
93042432	LTCIDA106WF940PQJ1WHTE	LTC, 120V, 600 lumen, 90 CRI, 4000K, Wide Flood, Juno Adapter, White	1-40	1 week
93050881	LTCIDA110SP930PQL1WHTE	LTC, 120V, 900 lumen, 90 CRI, 3000K, Spot, Lightolier Adapter, White	1-40	1 week



Lumination™ LED Luminaires

Photometric Data: Lumination™ LTC Series

LTCIDA106SP940PQXX

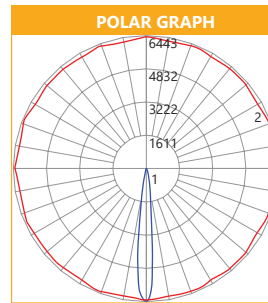
COEFFICIENTS OF UTILIZATION																					
RC	80%				70%				50%				30%				10%				0%
	RW	70%	50%	30%	10%	70%	50%	30%	10%	50%	30%	10%	50%	30%	10%	50%	30%	10%	0%		
0	119	119	119	119	116	116	116	116	111	111	111	106	106	106	102	102	102	100	100		
1	114	111	109	107	112	109	107	105	105	104	102	101	100	99	98	97	96	94	94		
2	109	105	101	98	107	103	100	97	100	97	95	97	95	93	94	93	91	89	89		
3	105	99	95	92	103	98	94	91	95	92	89	93	90	88	91	89	87	85	85		
4	101	95	90	86	99	94	89	86	91	88	85	90	86	84	88	85	83	82	82		
5	98	91	86	82	96	90	85	82	88	84	81	86	83	81	85	82	80	79	79		
6	94	87	82	79	93	86	82	79	85	81	78	84	80	78	82	79	77	76	76		
7	92	84	79	76	90	84	79	76	82	78	75	81	78	75	80	77	75	74	74		
8	89	82	77	74	88	81	77	74	80	76	73	79	76	73	78	75	73	72	72		
9	87	79	75	72	86	79	74	71	78	74	71	77	74	71	76	73	71	70	70		
10	84	77	73	70	84	77	73	70	76	72	70	75	72	69	75	71	69	68	68		

ZONAL LUMEN SUMMARY	
Zone	Lumens
0-10	280.07
10-20	117.56
20-30	66.33
30-40	48.54
40-50	37.73
50-60	24.68
60-70	12.78
70-80	8.52
80-90	2.17
90-100	0.09
100-110	0.07
110-120	0.08
120-130	0.08
130-140	0.08
140-150	0.13
150-160	0.34
160-170	0.52
170-180	0.21

Effective Floor Cavity Reflectance 0.20

ZONAL LUMEN SUMMARY			
Zone	Lumens	% of Lamp	% of Fixture
0-20	397.63	N.A.	66.3
0-30	463.96	N.A.	77.3
0-40	512.5	N.A.	85.4
0-60	574.91	N.A.	95.8
0-80	596.2	N.A.	99.4
0-90	598.38	N.A.	99.7

LUMINANCE DATA (CD/SQ.M)			
Angle in Degrees	0°	45°	90°
45°	18212	18022	17946
55°	12140	12046	12093
65°	7443	7316	7443
75°	7791	7687	7791
85°	4935	4427	4319



Total Luminaire Efficiency = N.A.%

LTCIDA106WF940PQXX

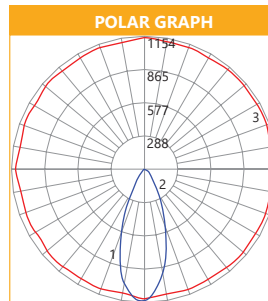
COEFFICIENTS OF UTILIZATION																					
RC	80%				70%				50%				30%				10%				0%
	RW	70%	50%	30%	10%	70%	50%	30%	10%	50%	30%	10%	50%	30%	10%	50%	30%	10%	0%		
0	119	119	119	119	116	116	116	116	111	111	111	106	106	106	102	102	102	100	100		
1	114	111	109	107	111	109	107	105	105	103	102	101	100	99	98	97	96	94	94		
2	108	104	100	97	106	102	99	96	99	96	94	96	94	92	93	91	90	88	88		
3	104	97	93	89	102	96	92	88	93	90	87	91	88	86	89	86	84	83	83		
4	99	92	87	83	97	91	86	82	89	84	81	87	83	80	85	82	79	78	78		
5	94	87	81	77	93	86	81	77	84	80	76	82	79	76	81	78	75	74	74		
6	90	82	77	73	89	81	76	72	80	75	72	78	74	71	77	74	71	70	70		
7	86	78	72	69	85	77	72	68	76	71	68	75	71	68	74	70	67	66	66		
8	83	74	69	65	82	74	68	65	73	68	64	72	67	64	71	67	64	63	63		
9	80	71	65	62	78	70	65	62	69	65	61	68	64	61	68	64	61	60	60		
10	76	68	62	59	75	67	62	59	66	62	58	66	61	58	65	61	58	57	57		

ZONAL LUMEN SUMMARY	
Zone	Lumens
0-10	99.95
10-20	209.76
20-30	166.84
30-40	72.83
40-50	28.18
50-60	12.27
60-70	5.52
70-80	3.02
80-90	0.45
90-100	0
100-110	0
110-120	0
120-130	0
130-140	0.05
140-150	0.19
150-160	0.35
160-170	0.35
170-180	0.15

Effective Floor Cavity Reflectance 0.20

ZONAL LUMEN SUMMARY			
Zone	Lumens	% of Lamp	% of Fixture
0-20	309.71	N.A.	51.6
0-30	476.55	N.A.	79.4
0-40	549.39	N.A.	91.6
0-60	589.84	N.A.	98.3
0-80	598.38	N.A.	99.7
0-90	598.83	N.A.	99.8

LUMINANCE DATA (CD/SQ.M)			
Angle in Degrees	0°	45°	90°
45°	11748	12129	12661
55°	5437	5484	5578
65°	3181	3181	3117
75°	2908	2805	2701
85°	617	617	617



Total Luminaire Efficiency = N.A.%

Photometric Data: Lumination™ LTC Series

LTCIDA118FL940PQXX

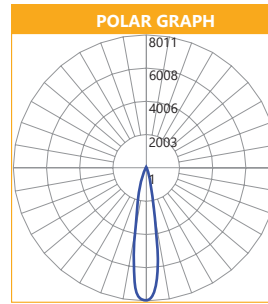
COEFFICIENTS OF UTILIZATION																			
RC	80%				70%				50%				30%			10%			0%
	RW	70%	50%	30%	10%	70%	50%	30%	10%	50%	30%	10%	50%	30%	10%	50%	30%	10%	
0	119	119	119	119	116	116	116	116	111	111	111	106	106	106	102	102	102	100	
1	114	112	110	108	112	110	108	106	106	104	103	102	101	100	99	98	97	95	
2	110	106	103	100	108	104	101	99	101	99	96	98	96	94	95	94	92	91	
3	106	101	97	93	104	99	96	93	97	94	91	94	92	90	92	90	88	87	
4	102	96	92	88	100	95	91	88	93	89	87	91	88	86	89	87	85	83	
5	99	92	87	84	97	91	87	84	89	86	83	88	85	82	86	84	81	80	
6	95	88	84	80	94	88	83	80	86	82	79	85	82	79	84	81	78	77	
7	92	85	77	77	91	84	80	77	83	79	77	82	79	76	81	78	76	75	
8	89	82	78	74	88	82	77	74	81	77	74	80	76	74	79	76	73	72	
9	87	79	72	72	86	79	75	72	78	74	72	77	74	71	77	73	71	70	
10	84	77	70	70	84	77	72	70	76	72	69	75	72	69	75	71	69	68	

ZONAL LUMEN SUMMARY	
Zone	Lumens
0-10	611.16
10-20	766.01
20-30	272.49
30-40	110.19
40-50	62.69
50-60	39.90
60-70	24.87
70-80	10.38
80-90	2.69
90-100	0.00
100-110	0.00
110-120	0.00
120-130	0.00
130-140	0.00
140-150	0.00
150-160	0.00
160-170	0.00
170-180	0.07

Effective Floor Cavity Reflectance 0.20

ZONAL LUMEN SUMMARY			
Zone	Lumens	% of Lamp	% of Fixture
0-20	1377.16	N.A.	72.50
0-30	1649.66	N.A.	86.80
0-40	1759.85	N.A.	92.60
0-60	1862.44	N.A.	98.00
0-80	1897.69	N.A.	99.90
0-90	1900.38	N.A.	100.00

LUMINANCE DATA (CD/SQ.M)			
Angle in Degrees	0°	45°	90°
45°	29314	28903	28078
55°	20361	20361	19850
65°	17271	16578	16578
75°	10148	10148	9016
85°	10025	10025	6694



Total Luminaire Efficiency = N.A.%

LTCIDA118FL940XX

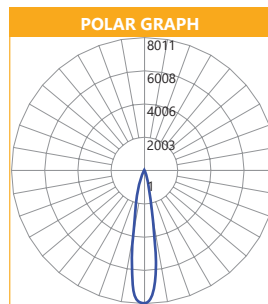
COEFFICIENTS OF UTILIZATION																			
RC	80%				70%				50%				30%			10%			0%
	RW	70%	50%	30%	10%	70%	50%	30%	10%	50%	30%	10%	50%	30%	10%	50%	30%	10%	
0	119	119	119	119	116	116	116	116	111	111	111	106	106	106	102	102	102	100	
1	114	112	110	108	112	110	108	106	106	104	103	102	101	100	99	98	97	95	
2	110	106	103	100	108	104	101	99	101	99	96	98	96	94	95	94	92	91	
3	106	101	97	93	104	99	96	93	97	94	91	94	92	90	92	90	88	87	
4	102	96	92	88	100	95	91	88	93	89	87	91	88	86	89	87	85	83	
5	99	92	87	84	97	91	87	84	89	86	83	88	85	82	86	84	81	80	
6	95	88	84	80	94	88	83	80	86	82	79	85	82	79	84	81	78	77	
7	92	85	80	77	91	84	80	77	83	79	77	82	79	76	81	78	76	75	
8	89	82	78	74	88	82	77	74	81	77	74	80	76	74	79	76	73	72	
9	87	79	75	72	86	79	75	72	78	74	72	77	74	71	77	73	71	70	
10	84	77	73	70	84	77	72	70	76	72	69	75	72	69	75	71	69	68	

ZONAL LUMEN SUMMARY	
Zone	Lumens
0-10	611.16
10-20	766.01
20-30	272.49
30-40	110.19
40-50	62.69
50-60	39.90
60-70	24.87
70-80	10.38
80-90	2.69
90-100	0.00
100-110	0.00
110-120	0.00
120-130	0.00
130-140	0.00
140-150	0.00
150-160	0.00
160-170	0.00
170-180	0.00

Effective Floor Cavity Reflectance 0.20

ZONAL LUMEN SUMMARY			
Zone	Lumens	% of Lamp	% of Fixture
0-20	1377.16	N.A.	72.50
0-30	1649.66	N.A.	86.80
0-40	1759.85	N.A.	92.60
0-60	1862.44	N.A.	98.00
0-80	1879.69	N.A.	99.90
0-90	1900.38	N.A.	100.00

LUMINANCE DATA (CD/SQ.M)			
Angle in Degrees	0°	45°	90°
45°	29314	28903	28078
55°	20361	20361	19850
65°	17271	16578	16578
75°	10148	10148	9016
85°	10025	10025	6694



Total Luminaire Efficiency = N.A.%

LTCIDA118NF940XX

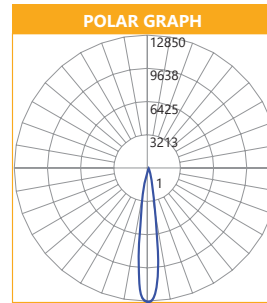
COEFFICIENTS OF UTILIZATION																					
RC	80%				70%				50%				30%				10%				0%
RW	70%	50%	30%	10%	70%	50%	30%	10%	50%	30%	10%	50%	30%	10%	50%	30%	10%	50%	30%	10%	0%
0	119	119	119	119	116	116	116	116	111	111	111	106	106	106	102	102	102	100			
1	114	112	110	108	112	110	108	106	106	104	103	102	101	100	99	98	97	95			
2	110	106	103	100	108	104	101	99	101	99	97	98	96	95	96	94	93	91			
3	106	101	97	94	104	100	96	93	97	94	92	95	92	90	93	91	89	87			
4	103	97	92	89	101	96	92	88	94	90	87	92	89	86	90	88	86	84			
5	99	93	88	85	98	92	88	85	90	87	84	89	86	83	87	85	83	81			
6	96	90	85	82	95	89	85	82	88	84	81	86	83	81	85	82	80	79			
7	94	87	82	79	92	86	82	79	85	81	79	84	81	78	83	80	78	77			
8	91	84	80	77	90	84	80	77	83	79	76	82	79	76	81	78	76	75			
9	89	82	78	75	88	81	77	75	81	77	74	80	77	74	79	76	74	73			
10	87	80	76	73	86	79	75	73	79	75	73	78	75	72	77	74	72	71			

ZONAL LUMEN SUMMARY	
Zone	Lumens
0-10	808.24
10-20	639.94
20-30	168.88
30-40	95.38
40-50	73.14
50-60	57.37
60-70	37.33
70-80	16.37
80-90	3.88
90-100	0.00
100-110	0.00
110-120	0.00
120-130	0.00
130-140	0.00
140-150	0.00
150-160	0.00
160-170	0.00
170-180	0.00

Effective Floor Cavity Reflectance 0.20

ZONAL LUMEN SUMMARY			
Zone	Lumens	% of Lamp	% of Fixture
0-20	1448.19	N.A.	76.20
0-30	1617.07	N.A.	85.10
0-40	1712.45	N.A.	90.01
0-60	1842.97	N.A.	97.00
0-80	1896.67	N.A.	99.80
0-90	1900.54	N.A.	100.00

LUMINANCE DATA (CD/SQ.M)			
Angle in Degrees	0°	45°	90°
45°	34454	37070	37070
55°	30110	31184	30110
65°	24078	24078	22621
75°	16682	15488	14293
85°	10611	10611	10611



Total Luminaire Efficiency = N.A.%

Product Specifications:

Construction:

- Die-cast and precision machined head.
- Textured powder coat finish.

Installation:

- Track adapters easily twist into track systems for quick installation.
- Compatible with several brands of track systems.

Weight:

- LTC Fixture @ 1 lb. for 9.3W and 13.5W
- LTC Fixture @ 3 lb. for 20W

Optical System:

- Precision designed reflectors and diffusers for optimal efficiency.
- Custom designed spot optical system optimizes CBCP.

Electrical System:

- Integrated, high-efficiency LED driver.
- Power factor > 0.9.

For more information and access to all of our resources, including our design tool visit: www.gecurrent.com