

# Lumination™ LED Luminaires

LED Recessed Luminaire  
LPL22 Value Series - Panel Light



Project name \_\_\_\_\_

Date \_\_\_\_\_

Type \_\_\_\_\_

## Product Description:

GE Lumination™ LPL Series Recessed LED Luminaires are a value product for commercial ceilings providing uniformity, efficiency and reduced glare for T-grid ceiling applications. For the premium reveal® TriGain™ Architectural flat panel design, please see details for the LET series. The LPL lumen maintenance of greater than L70 at 50,000 hours operation, allows for lower maintenance costs. It is suitable for indoor general lighting for both new construction and retrofit when luminaire's are being replaced. The uniform light across the diffuser offers a distinctive, better look than traditional LED "two strip troffers". End users can see the difference and enjoy the fresh new look of an LED luminaire.

## Performance Summary:

**Light Output Range:** 2000-4000 lumens

**CRI:** 80+, R9>0

**CCT:** 3500K/4000K

**Efficacy:** 100LPW

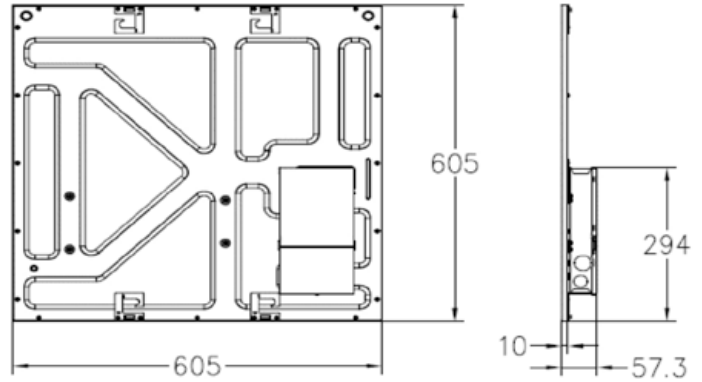
**Input Voltage:** 120-277V

**Wattage Range:** 20-40 watts

**Rated Lumen Depreciation:** L70 @ 50,000 hrs.

**Limited Warranty:** 5 Years

## Product Dimensions:



Listings:   a product of 

 Please refer to the DLC QPL website for the latest and most complete information. <http://www.designlights.org/QPL>

## Ordering Information:<sup>1</sup> (Important, Please see note 1 below)

**LPL**    **22**    **A**    **0**    **MM**    **VQ**    **LT**    **WHT**

FAMILY	FIXTURE TYPE	GENERATION	VOLTAGE	NOMINAL LUMENS	DISTRIBUTION FINISH	CRI/CCT	CONTROLS <sup>2</sup>	MOUNTING	FINISH	OPTIONS <sup>3</sup>
LPL = Lumination Panel Light	22 = 2' x 2'	A = 1st Generation	0 = 120-277V	20 = 2000 <sup>a</sup> 33 = 3300 40 = 4000 <sup>a</sup>	MM = Medium Lambertian	835 = 80CRI, 3500K 840 = 80CRI, 4000K	VQ = 0-10V Dimming	LT = T-Grid	WHT = White	All options are sold separately as accessories, please see below

EXAMPLE CONFIGURATIONS	LUMINAIRE LUMENS	LUMINAIRE TOTAL SYSTEM WATTS	LUMINAIRE LPW	SHIPPING LEAD TIME (WEEKS)	QUICKSHIP
LPL22A02MM835VQLTWHTE <sup>a</sup>	2000	20	100	3	
LPL22A033MM835VQLTWHTE	3300	33	100	1	✓
LPL22A040MM835VQLTWHTE <sup>a</sup>	4000	40	100	3	
LPL22A020MM840VQLTWHTE <sup>a</sup>	2000	20	100	3	
LPL22A033MM840VQLTWHTE	3300	33	100	1	✓
LPL22A040MM840VQLTWHTE <sup>a</sup>	4000	40	100	3	

ACCESSORIES	DESCRIPTION CODE	PRODUCT CODE
Drywall Mount Kit 2 x 2	GESK07	67657
2 x 2 Surface Mount Kit for Backlit T-Grid	B22 SMK	212462
347V kit	LFAMBADVQFA	93071580
EMBB kit	LFAMBA0VQFAEL	93071576
Wireless Enabled, Daintree Compatible kit (most commonly used option for Daintree)	LCAMBA0TQFA	93071586
Wireless Enabled, Daintree Compatible with Daintree WFA 100 kit (allows for field connectivity to remote sensor)	LCAMBA0TSFA	93071585
Wireless Enabled, Daintree Compatible + EMBB kit	LCAMBA0TQFAEL	93071579
Wireless Enabled, Daintree Compatible with Daintree WFA 100 + EMBB kit	LCAMBA0TSFAEL	93071578
Wireless Enabled, Daintree Compatible + Emergency Bypass kit (Dual Shunt Relay to be used with building generator backup systems to override dimming - Contact manufacturer prior to ordering to confirm application)	LCAMBA0TQFAB2	93071583
Wireless Enabled, Daintree Compatible with Daintree WFA 100 + Emergency Bypass kit (Dual Shunt Relay to be used with building generator backup systems to override dimming - Contact manufacturer prior to ordering to confirm application)	LCAMBA0TSFAB2	93071582

### Ordering Notes:

- ALL LPL UNITS ARE PRICED AS SINGLE UNITS AND MUST BE ORDERED AS SINGLE UNITS IN EVEN QUANTITIES AS THIS PRODUCT IS PACKED TWO PER BOX. IT SHOULD BE NOTED IN RECEIVING DOCUMENTS THAT ONE BOX HAS TWO UNITS AND SHOULD BE RECEIVED AS TWO UNITS.
- See accessories for wireless and sensor options
- All options are accessories that are quickly and easily attached and/or wired to the luminaire in the field by the installer.
- These configurations/lumen levels require additional manufacturing steps and therefore have a 10% price adder.



# Typical Specification: Lumination™ LPL22 Value Series — Panel Light

## LED & Optical Assembly

**CRIa:** >80

**R9:** >0

**Color Consistency:** Central limit 4-Step MacAdam Ellipse with LED recipe approach for tight unit to unit color control

**Rated Lumen Depreciation:** L70 @ 50,000 hrs

## Electrical

**Input Voltage:** 120-277V

**Input Frequency:** 50/60Hz

**System Power Factor (PF):** >0.9\*

**Total Harmonic Distortion (THD):** <20%\*

**LED Driver Type:** Class 2

\* PF and THD may vary with options



## Ratings & Evaluations

**Operating Temperature:** -20°C to +30°C

**Storage Temperature:** -40°C to +70°C

**Surge Protection:** ANSI C82.77 Compliant

**Location:** Damp

**Safety:** UL/cUL Listed /c

**Environmental:** RoHS compliant

**Utility:** DLC™ Qualified Product Listed, check

[www.designlights.org/QPL](http://www.designlights.org/QPL) for specific products

## Construction & Finish

**Housing:** Durable, long lasting bezel construction. Aluminum extruded

**Lensing:** Precision formed optical assembly

**Paint:** Post painted powder coat finish on frame

**Weight:** <10 pounds

## Controls

**Standard Dimming:** 0-10VDC ANSI C137.x compliant

**Minimum Dimming:** 10% of rated lumen LED drive current

**Optional Dimming:** N/A

**Wireless Networking & Sensing Devices:\***

— Daintree Wireless enabled

— Daintree Systems (Wireless Only)

**Power Addition for Controls:** <2 watts

\* Contact Factory for specific option availability

## Mounting

**Typical Mounting:** Fits standard T-Bar grid (drop ceilings)

**Wiring Access:** ½" trade-size KOs

**T-grid Clips:** T-grid clips attached, with holes for seismic wires

**Surface Mounting:** Surface mount kit available

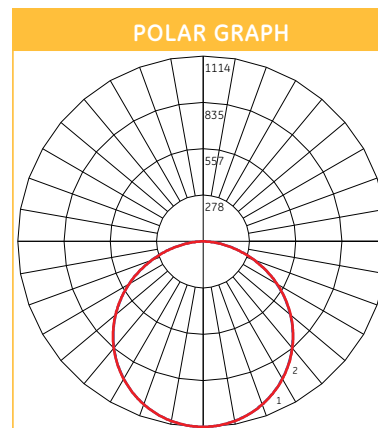
## Accessories and Options

**Optional Emergency Battery:** Provides 90-minutes of Emergency lighting

## Design Life & Warranty

**System Warranty:** 5 Year

## Photometrics



ZONAL LUMEN SUMMARY	
Zone	Lumens
0-10	105.44
10-20	302.87
20-30	461.71
30-40	561.65
40-50	589.13
50-60	539.39
60-70	418.18
70-80	248.06
80-90	73.56
90-100	0.00
100-110	0.00
110-120	0.00
120-130	0.00
130-140	0.00
140-150	0.00
150-160	0.00
160-170	0.00
170-180	0.00

**current**  
powered by GE

All trademarks are the property of their respective owners. Information provided is subject to change without notice. All values are design or typical values when measured under laboratory conditions. Current, powered by GE is a business of the General Electric Company.  
© 2017 GE.

