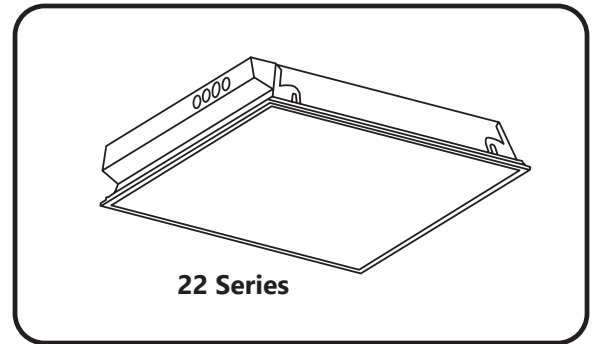


Lumination® LED Luminaire

LBU Recessed Series, 120-277V

with 365DisInFx™ Technology



BEFORE YOU BEGIN

Read these instructions completely and carefully.

⚠ WARNING / AVERTISSEMENT

RISK OF ELECTRIC SHOCK

- Turn power off before inspection, installation or removal.
- Properly ground electrical enclosure.

RISK OF FIRE

- Follow all NEC and local codes.
- Use only UL approved wire for input/output connections. Minimum size 18 AWG (0.75mm²).

RISQUES DE DÉCHARGES ÉLECTRIQUES

- Coupez l'alimentation avant d'inspecter, installer ou déplacer le luminaire.
- Assurez-vous de correctement mettre à la terre le boîtier d'alimentation électrique.

RISQUES D'INCENDIE

- Respectez tous les codes NEC et codes locaux.
- N'utilisez que des fils approuvés par UL pour les entrées/sorties de connexion. Taille minimum 18 AWG (0.75mm²).

⚠ CAUTION / ATTENTION - RISK GROUP 2/RAYONNEMENT LUMINEUX GROUPE 2

Risk Group 2: Caution. UV Emitted from this product. Eye or skin irritation may result from exposure. Use appropriate shielding. Caution. Possibly hazardous optical radiation emitted from this product. Do not stare at operating lamp. May be harmful to the eyes. Product tested against IEC62471.

Groupe de Risque 2: Attention. Ce produit émet un rayonnement UV. Une irritation des yeux ou de la peau peut résulter de l'exposition. Utilisez les protections appropriées. Attention. Ce produit émet un rayonnement optique potentiellement dangereux. Ne regardez pas directement une lampe en fonctionnement. Peut être nocif pour les yeux. Produit testé selon IEC62471.

Save These Instructions

Use only in the manner intended by the manufacturer. If you have any questions, contact the manufacturer.

Components Supplied

- Luminaire

Tools and Components Required

- Slot screwdriver or 1/4" hex nutdriver
- UL Listed conduit connections per NEC/CEC for nominal conduit trade sizes 1/2" or 3/4"
- UL Listed wire connectors
- Safety Glasses

Prepare Electrical Wiring



Electrical Requirements

- The LED luminaire must be connected to the mains supply according to its ratings on the product label.



Grounding Instructions

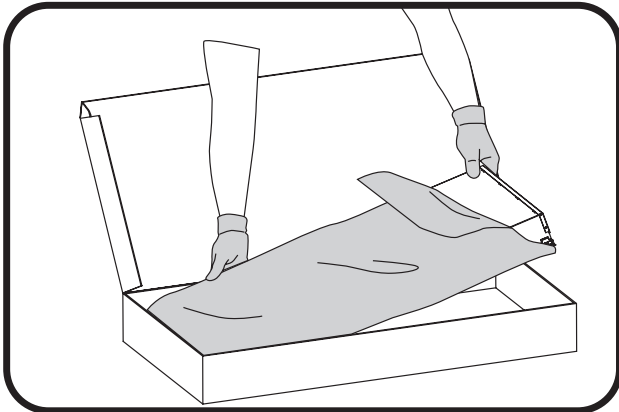
- The grounding and bonding of the overall system shall be done in accordance with National Electric Code (NEC) Article 600 and local codes.

⚠ CAUTION / ATTENTION

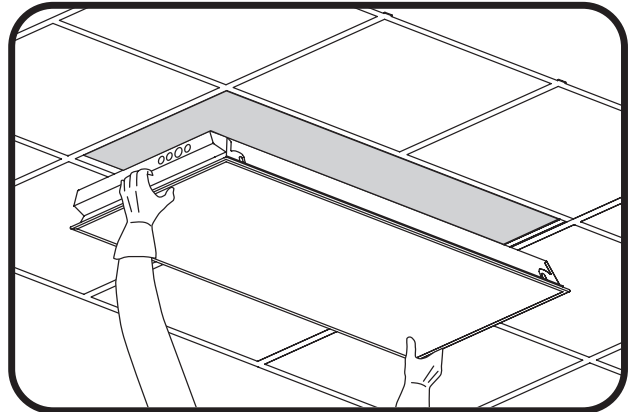


- Turn power off prior to installation; risk of UV exposure. / Coupez l'alimentation avant d'installer; risque d'exposition à un rayonnement UV.
- Wear safety glasses for optical protection. / Porter des lunettes de sécurité pour protéger les yeux

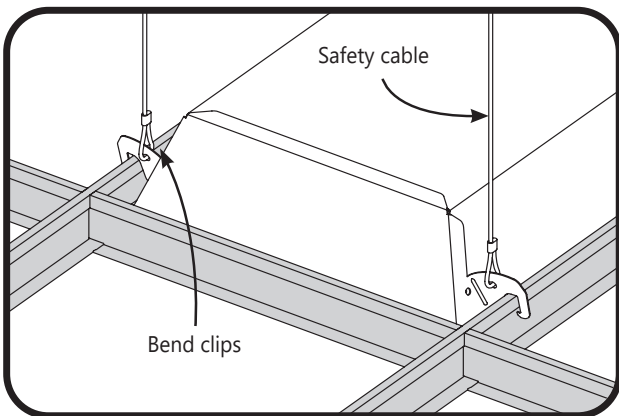
Installation



- 1 Carefully unpack unit from its packaging. Properly inspect for defects before installing. Wear work gloves to prevent dirt and oil from being transferred to the luminaire.



- 2 Install the unit into the reserved hole in the ceiling. If installing more than one luminaire per room, follow instructions on the diffuser label to maintain consistent orientation.

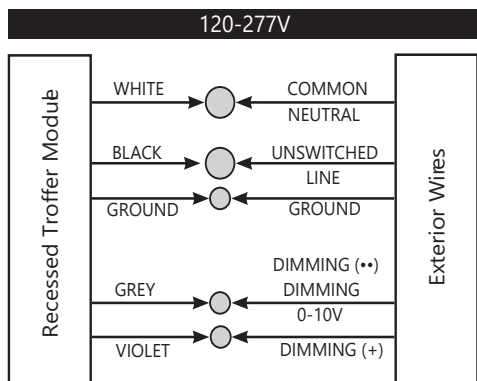


- 3 Bend the 4 clips to secure the luminaire in place. Install the safety cables through the holes on the clips (per local building codes, safety cables by others).

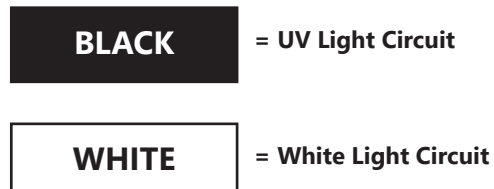
Electrical Connections

⚠ WARNING / AVERTISSEMENT

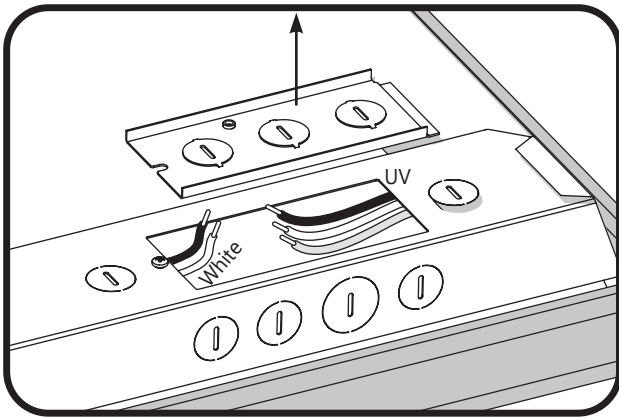
Risk of electrical shock. Disconnect power before servicing or installing product.
 Risque de choc électrique. Couper l'alimentation avant le dépannage ou avant l'installation du produit.



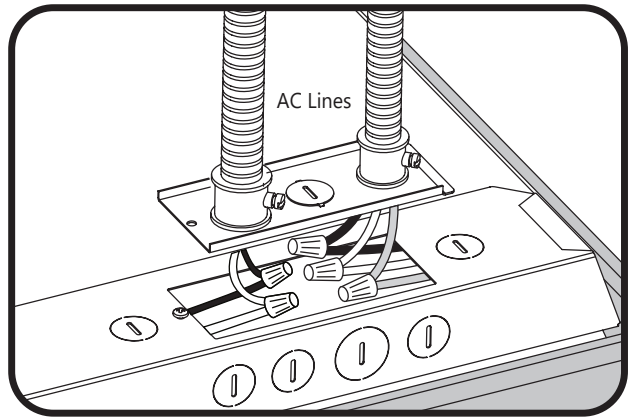
NOTE: Two sets of leads may be provided from the recessed troffer module labeled with black and white labels corresponding to "UV" and "WHITE" light circuits. These may be connected to the same or separate circuits depending on customer instruction. In most installations, dimming is not needed on the UV circuit as dimming the UV light reduces disinfection.



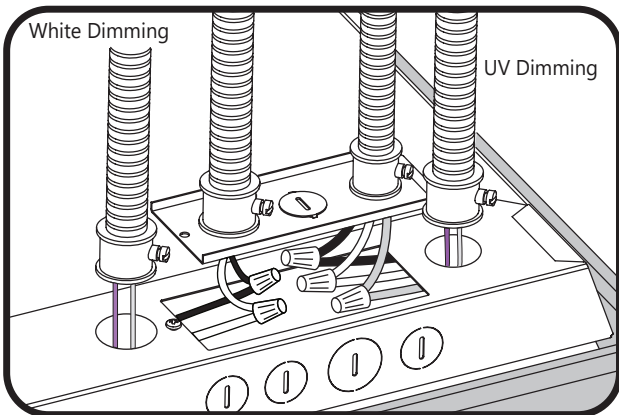
Electrical Installation



- ① Remove electrical enclosure cover. Remove knock-out for AC line input wires.

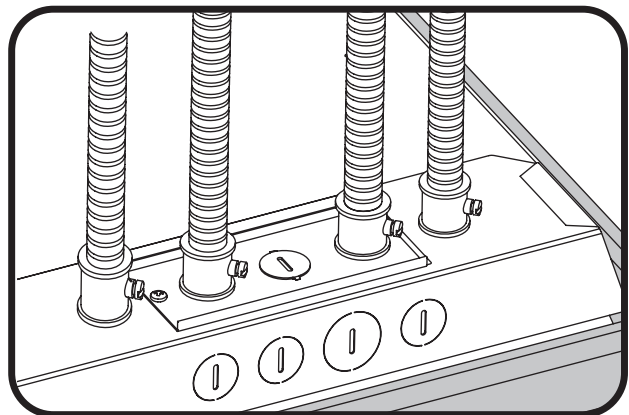


- ② Install listed electrical fittings in the knockout holes for wire protection. Connect the AC lines (**UV- black label** and **WHITE -white label**) to the luminaire internal wires according to the wiring diagrams using 18-14 AWG twist-on wire connectors.



- ③ Install listed electrical fittings in the knockout holes for wire protection. Connect the dimming controls (grey and purple or purple/white, one set for UV one set for WHITE) wires of the LED drivers using 18-14AWG twist-on wire connectors.

NOTE: in most installations, dimming is not needed on the UV circuit as dimming the UV light reduces disinfection.



- ④ Replace electrical enclosure cover and secure it with the screw.

This device complies with part 15 of the FCC rules for the United States and Industry Canada (IC) license exempt RSS standard(s). Operation is subject to the following two conditions: (1) This device may not cause harmful interference, and (2) this device must accept any interference received, including interference that may cause undesired operation. Any changes or modifications not expressly approved by the manufacturer could void the user's authority to operate this equipment. This product is intended for commercial use only.

This device complies with Part 15 of the FCC Rules. Operation is subject to the following two conditions: (1) This device may not cause harmful interference, and (2) this device must accept any interference received, including interference that may cause undesired operation. CAN ICES-005 (A) NMB-005 (A)

Note: This equipment has been tested and found to comply with the limits for a Class A digital device, pursuant to part 15 of the FCC Rules. These limits are designed to provide reasonable protection against harmful interference when the equipment is operated in a commercial environment. This equipment generates, uses, and can radiate radio frequency energy and, if not installed and used in accordance with the instruction manual, may cause harmful interference to radio communications. Operation of this equipment in a residential area is likely to cause harmful interference in which case the user will be required to correct the interference at his own expense.

Note: CONTACT FACTORY for details and limitations when seeking to incorporate this product with an emergency system other than Battery Backup.