

Lumination® LED Luminaires



LAL Series - Louver Installation Supplement



BEFORE YOU BEGIN

Read these instructions completely and carefully.

⚠ WARNING/AVERTISSEMENT

RISK OF ELECTRIC SHOCK

- Turn power off before inspection, installation or removal.
- Properly ground electrical enclosure.

RISK OF FIRE

- Follow all NEC and local codes.
- Use only UL approved wire for input/output connections. Minimum size 18 AWG.
- Type IC, inherently protected.

RISK OF INJURY

- Louver may fall down if not installed properly.

RISQUES DE DÉCHARGES ÉLECTRIQUES

- Coupez l'alimentation avant d'inspecter, installer ou déplacer le luminaire.
- Assurez-vous de correctement mettre à la terre le boîtier d'alimentation électrique.

RISQUES D'INCENDIE

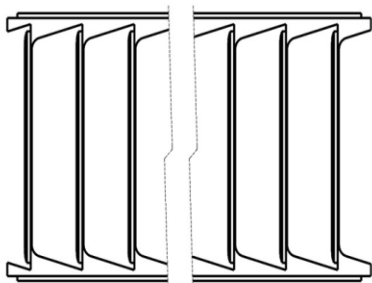
- Respectez tous les codes NEC et codes locaux.
- N'utilisez que des fils approuvés par UL pour les entrées/sorties de connexion. Taille minimum 18 AWG.
- Type IC, protection inhérente.

RISQUES DE BLESSURE

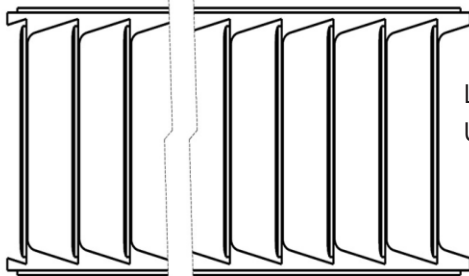
- Le volet peut tomber s'il n'est pas installé correctement.

Provided in the package:

Multiple louvers will be included in the packaging with each fixture.

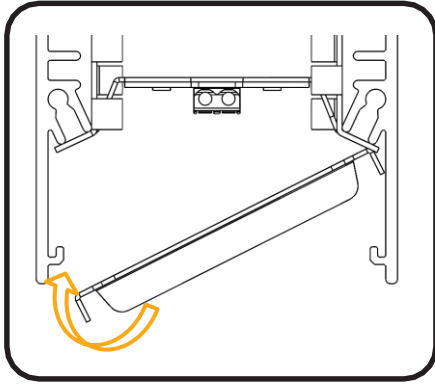


Louver Length = 11 inches
One used in every LALR Starter Fixtures

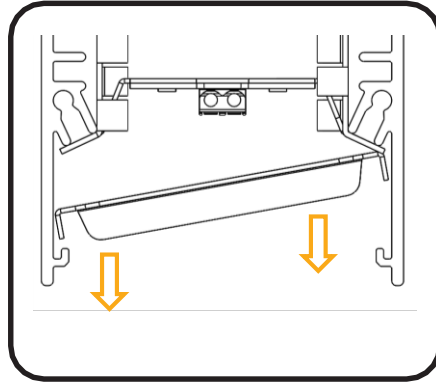


Louver Length = 12 inches
Used in LALR Continuous and LALS Fixtures

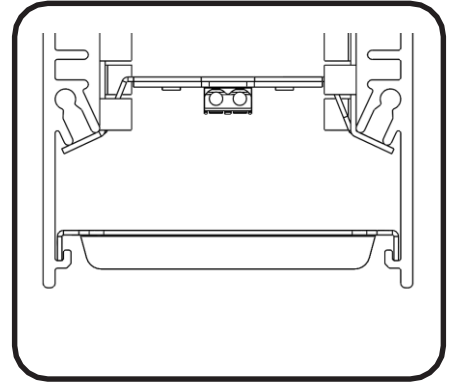
Installation



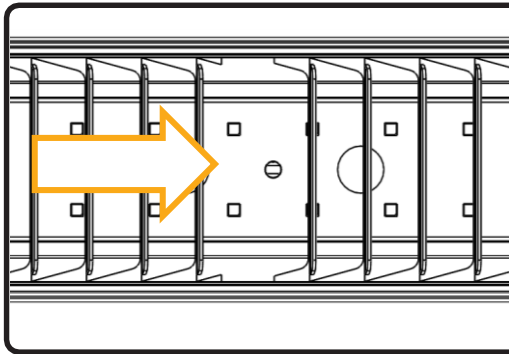
- 1 Place louver in fixture as shown and rotate into position. Push gently to engage hook.



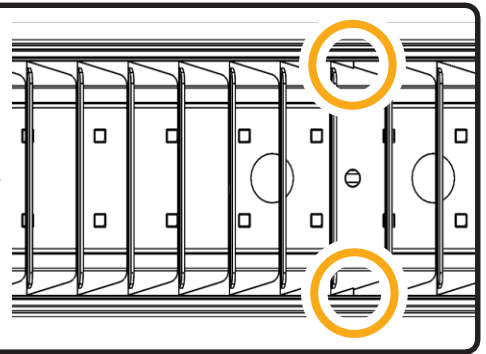
- 2 Pull louver down so both hooks engage the housing.



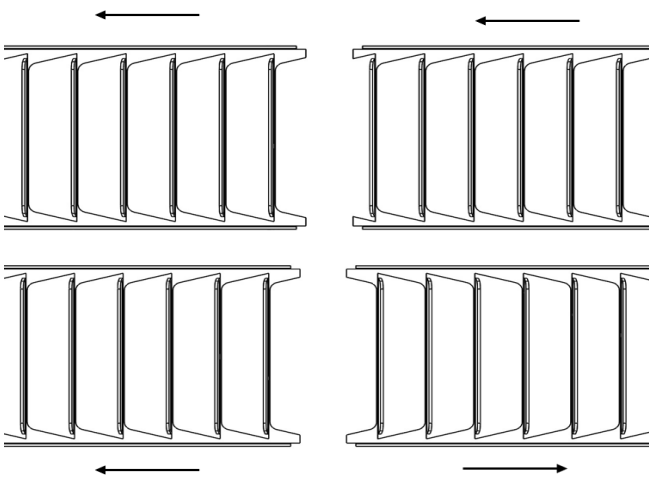
- 3 Louvers must hook into the housing.



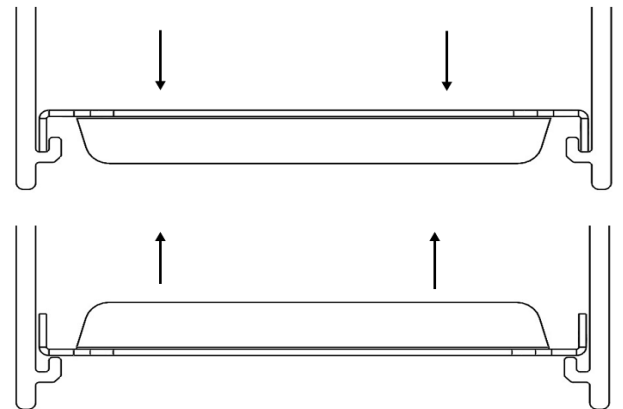
- 4 Slide louvers together so they touch. Ensure all louvers are facing the same direction.



Troubleshooting



Ensure louvers are facing the same way.



Louvers must hook into the housing.