

Lumination® LED Luminaires



LALS Series – Wall Mount Installation Supplement



BEFORE YOU BEGIN

Read these instructions completely and carefully.

⚠ WARNING/AVERTISSEMENT

RISK OF ELECTRIC SHOCK

- Turn power off before inspection, installation or removal.
- Properly ground electrical enclosure.

RISK OF FIRE

- Follow all NEC and local codes.
- Use only UL approved wire for input/output connections. Minimum size 18 AWG.
- Type IC, inherently protected.

RISQUES DE DÉCHARGES ÉLECTRIQUES

- Coupez l'alimentation avant d'inspecter, installer ou déplacer le luminaire.
- Assurez-vous de correctement mettre à la terre le boîtier d'alimentation électrique.

RISQUES D'INCENDIE

- Respectez tous les codes NEC et codes locaux.
- N'utilisez que des fils approuvés par UL pour les entrées/sorties de connexion. Taille minimum 18 AWG.
- Type IC, protection inhérente.

This document is a supplement for the wall mount installation.

Complete fixture install instructions have been provided with the fixture.

Provided in the package:

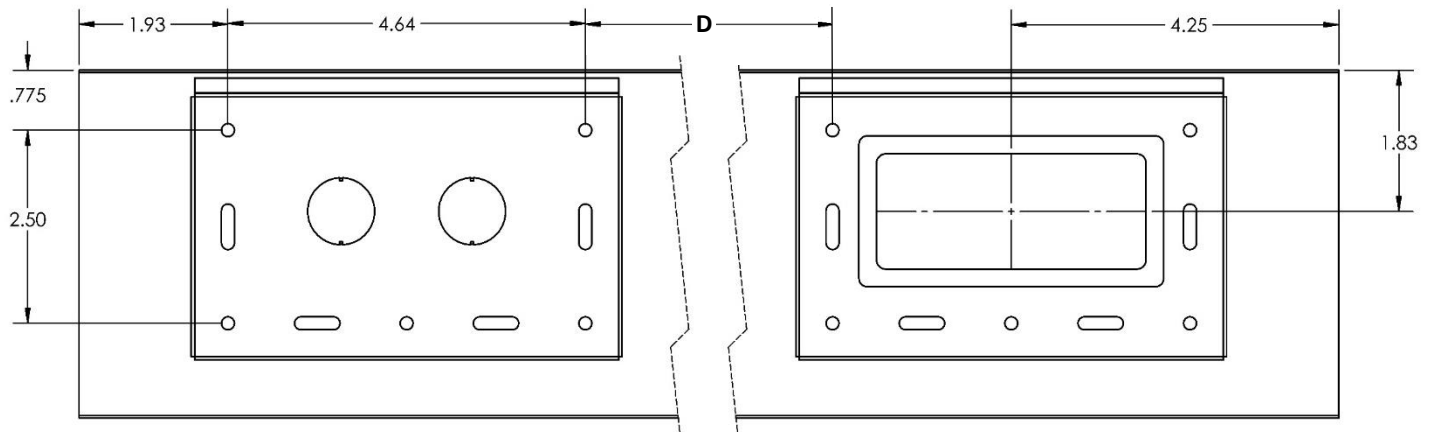
- Fixture Bracket (Qty. 2)
- Wall Bracket with Knock Out (Qty. 2)
- Wall Bracket with Conduit Box Hole (Qty. 1)
- Screws 8-18 x .25 (Qty. 12)

Tools and Materials required:

- ¼" hex driver
- Flat blade screw driver
- Twist-on wire connectors
- Fasteners for attaching brackets to wall

Plan Ahead: Mounting Bracket Installation Location

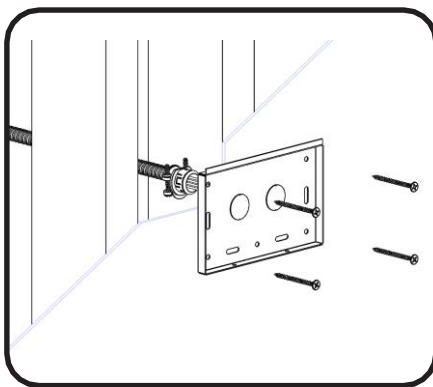
The dimensions shown below are from the end of the fixture housing and **do not** include the endcap. Each endcap is 0.60 inches long. Every fixture requires 2 mounting brackets.



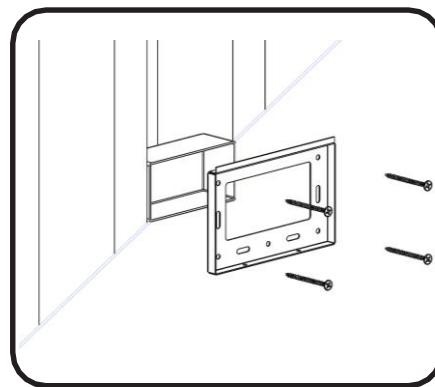
Fixture Description	Fixture Length	D
LALSx2	26.0	12.86
LALSx4	48.0	34.86
LALSx5	60.0	46.86
LALSx6	72.0	58.86
LALSx8	96.0	82.86

all units are inches

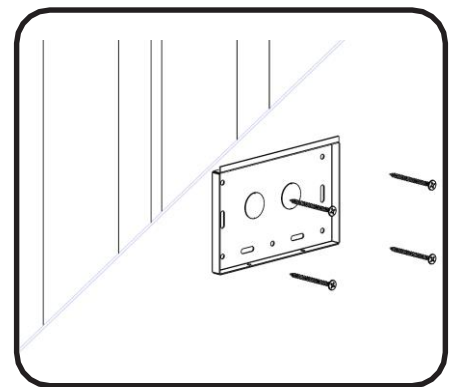
Installation



- 1a Power Connection:**
When connecting to a conduit feed, secure wall bracket with knock out to the wall.

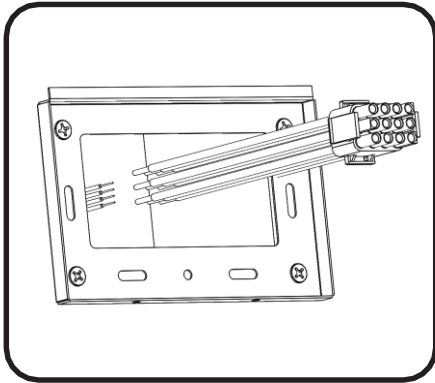


- 1b Power Connection:**
When connecting to a conduit box, secure wall bracket with conduit box hole to the wall.

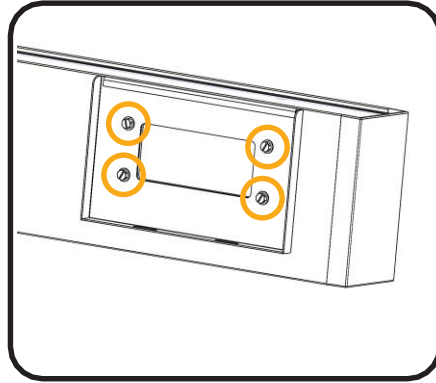


- 2** When no power connection is needed, secure wall bracket with knock out to the wall. Do not remove the knock outs. Ensure all brackets are level before moving forward.

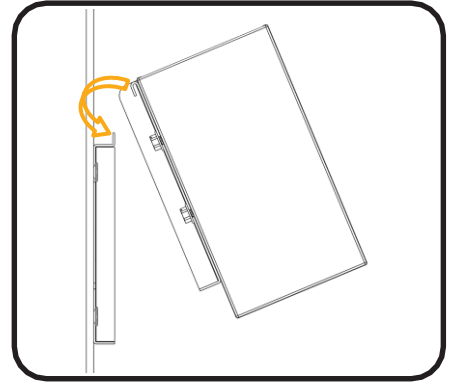
Note: Blocking and fasteners provided by other.
Ensure the fasteners used are appropriate for the wall material and fixture weight.



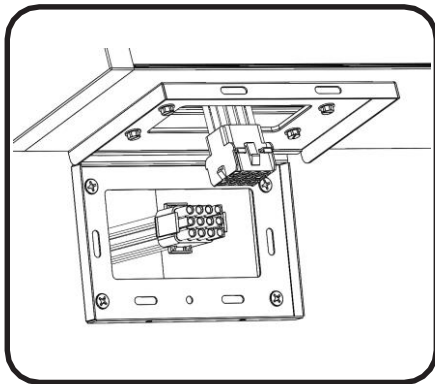
3 Connect the conduit line to the leader cable with twist-on wire connectors. Repeat for dimming line. Cap unused wires.



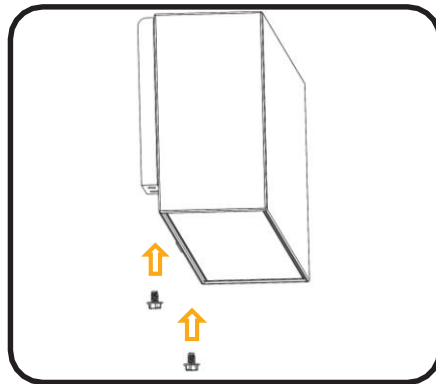
4 Attach fixture brackets with provided screws as shown. Brackets will not extend beyond housing if installed correctly.



5 Hook housing onto wall bracket.



6 Connect leader cable to fixture harness.



7 Rotate fixture down into position and secure with provided fasteners.

Troubleshooting

Symptom

Brackets do not line up.

Solution

Check Plan Ahead section for bracket install location.