

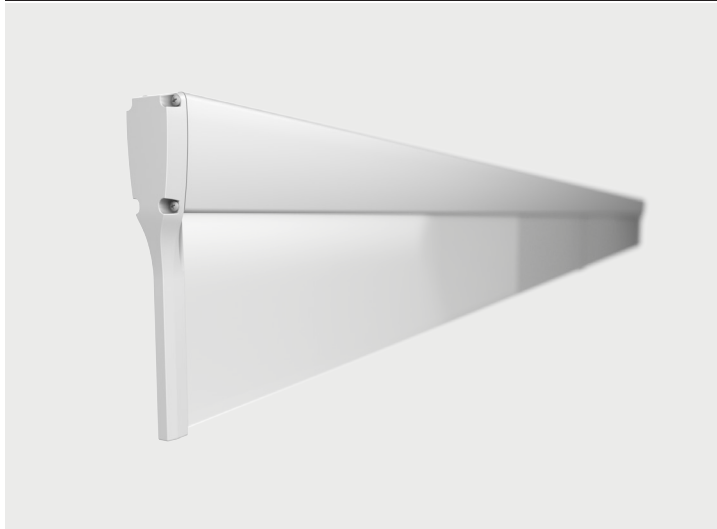
Lumination™ LED Luminaires

LELB Edgelit Suspended Luminaire

Project Name _____

Date _____ Type _____

Catalog Number _____



Description

The Lumination™ Edgelit Luminaire linear fixture leverages an advanced LED optical system and ultra-thin architectural design to achieve premium performance and aesthetics. Edgelit optics combined with TriGain® technology allow for a near-transparent luminaire when off and exceptional uniformity, efficiency, and color rendering when on. Excellent lumen maintenance combined with intuitive mounting hardware provide simple ease of installation and lower maintenance cost over time.

Features

Optical System

- High optical grade acrylic light panels
- All-aluminum light engine with CEM PCBA
- Luminance Uniformity 2:1 max to min
- No pixelation or visible diodes
- Industry-leading color rendering and efficiency provided by TriGain® technology (90+ CRI, 90+ R9)

Construction

- All metal construction
- Durable, premium-grade aluminum frame
- Low-profile aluminum endcaps with a modern aesthetic
- IP30 rated
- IK07 impact resistance

Electrical System

- L85@50,000 for low maintenance costs
- Class 2 high-efficiency LED driver rated for 100,000 hours
- Thermal overload protection
- High Temperature, High Humidity: 60C /90% (non-condensing)
- Electronic Vibration Testing: Multi-axis, Random Vibration Profile: 2-2000 Hz, 5Gs on electronics

Installation

- Suspension Cables
- Vibration tested: 0.5g with 100,000 cycles, 3-axis

FAMILY	GEN	FIXTURE WIDTH	VOLTAGE	NOMINAL LUMENS	DISTRIBUTION	CRI	CCT	CONTROLS	MOUNTING	FINISH	POWER CORD
LEL	B= 2nd Gen	80= 8ft	0= 120-277VAC	A2= 11,200	MM=Medium	T= 90 CRI TriGain	35=3500K 40=4000K	VQ= 0-10v	CS= Cable Suspension	WHT= White SLVR= Silver BLCK= Black	W=White S=Silver B=Black

* 10ft power cord included. 300V, 18AWG, 5 Conductor

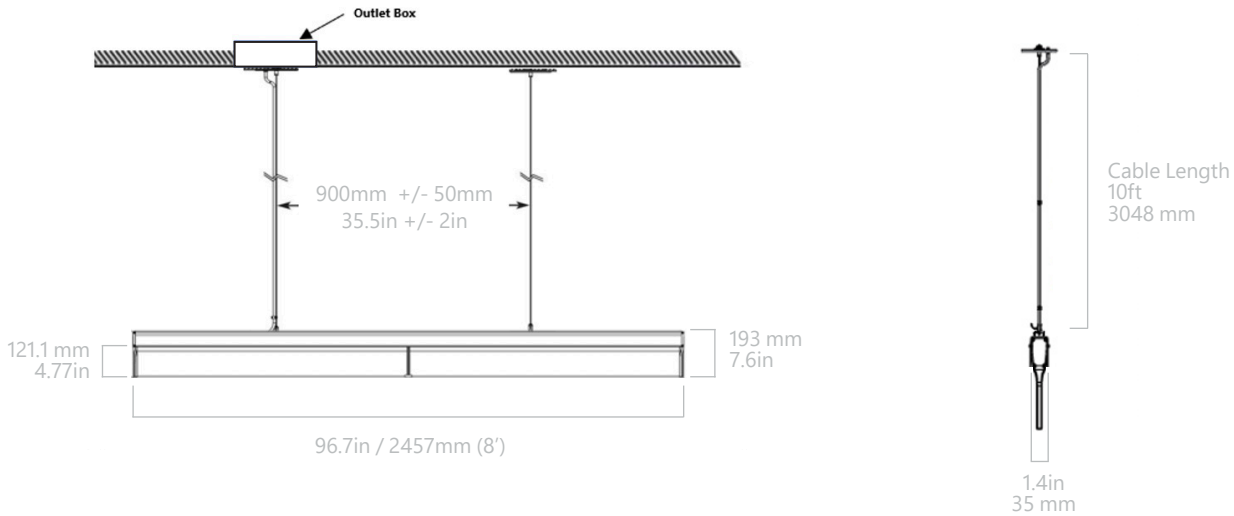
Please contact the Fixture Technical Support team for technical questions.

lightingproinfo@gecurrent.com
1-888-694-3533



Product Dimensions

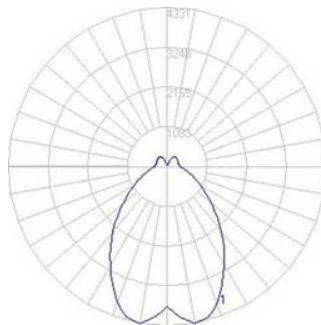
8' Suspended



Photometric Data

8' Suspended

Zone	Lumens	% Fixture
0-20	1535.18	13.70
0-30	3170.28	28.30
0-40	4923.68	44.00
0-60	7738.09	69.10
0-80	9244.71	82.50
0-90	9660.43	86.30
10-90	9272.29	82.80
20-40	3388.49	30.30
20-50	4959.29	44.30
40-70	3711.86	33.10
60-80	1506.61	13.50
70-80	609.16	5.40
80-90	415.72	3.70
90-110	614.88	5.50
90-120	882.08	7.90
90-130	1115.55	10.00
90-150	1447.15	12.90
90-180	1539.56	13.70
110-180	924.68	8.30
0-180	11199.98	100.00



Specifications

Delivered Light Output	11,200lm (8ft)
Distribution	85% Downlight / 15% Uplight
System Input Power	85W (8ft)
Efficacy	132 LPW
Input Voltage	120-277V
Input Frequency	50/60Hz
Standard Dimming	0-10V, 1% Dimming
CCT	3500K, 4000K
CRI	90+ with TriGain™ technology
R9	90+
Color Consistency	3-Step MacAdam Ellipse
Lifetime Rating	L85 @ 50,000 hours
Power Factor	≥ 0.9
THD	< 20%
Fixture Weight	16lbs
Mounting	Suspension Cables
Warranty	Limited 5-year
IK Rating	IK07
IP Rating	IP30
Operating Conditions	-10C to 35C
Temperature/Humidity	60C /90% (non-condensing)
Thermal Protection	Yes
Transient Protection	100 kHz ring wave, 2.5kV level
Electronic Vibration Testing	Multi-axis, Random Vibration Profile: 2-2000Hz, 5Gs on electronics
Available Resources	LM79, LM80, IES, DWG % LDT