

Lumination® LEX Series

LEX Exit Sign



CUSTOMER NAME _____

Project Name _____

Date _____ Type _____

Catalog Number _____

The Lumination® LEX LED Exit Sign Series is available in a variety of housing and face panel styles, finish and letter colors, and options for either integral battery back-up or hard-wired. Code-specific models are also available*. To complete your projects, matching accessories are offered separately.

*CA T20 & New York City code compliant available now, City of Chicago – coming soon.

ProLine®

CONSTRUCTION

Housing:	<ul style="list-style-type: none">• Thermoplastic: 5VA flame retardant, high impact curved design• Steel: 20-gauge
Lens:	Thermoplastic & Steel: Thermoplastic face panels
Paint:	White or Black Power Coat Painted (Steel models only)
Weight:	Thermoplastic: 1.5 - 1.6lbs Steel: 8.3 - 8.5lbs

OPTICAL SYSTEM

Distribution:	Universal Single/Double Face (Thermoplastic & Steel)
Color:	<ul style="list-style-type: none">• Red or Green LEDs• NYC: Red 8-inch EXIT letters

ELECTRICAL

Input Voltage:	Universal 120-277V
Input Frequency:	60Hz
Input Wattage / Amperage (no options):	Thermoplastic: • 1.0W / 0.09A Steel (NYC): • 5.0W (120V & 277V) / 0.041A (120V), 0.018A (277V)
Battery:	Rechargeable NiCd Battery (EM Models) • Thermoplastic Model: 1.2V min 90-minute emergency illumination • Steel (NYC): 3.6V min 90-minute emergency illumination

CODES

MEETS UL924, NFPA 101 LIFE SAFETY CODE, NEC, OSHA, LOCAL AND STATE CODES	
Standard:	Thermoplastic
NYC:	Steel
California:	Thermoplastic

OPERATING AMBIENT TEMPERATURE

Product ID	OPERATING TEMPERATURE
LEX	0° - +50° C (UL Damp rating)

MOUNTING

- Thermoplastic:
 - Easy snap mounting canopy included for top or end mount.
 - Universal KO pattern on back plate for wall mount.
 - Snap-out chevron directional indicators.
- Steel:
 - Mounting canopy provided for top or end mount.
 - Top and side KOs provided for conduit feed applications.
 - Snap-out chevron directional indicators.

DESIGN LIFE & WARRANTY

- Charge rate/power "ON" LED indicator light and push-to-test switch for mandated code compliance testing.
- Internal solid-state transfer switch automatically connects the internal battery to LED board for minimum 90-minute emergency illumination.
- Fully automatic solid-state, two rate charger initiates battery charging to recharge a discharged battery in 24 hours.
- Current's Limited 5-year Warranty:
Please refer to document **IND699** for more information.

Lumination® LEX Series

LEX Exit Sign

Ordering Information

CUSTOMER NAME

Project Name _____

Date _____ Type _____

Catalog Number _____

MATERIAL NUMBER	CATALOG LOGIC	MATERIAL DESCRIPTION
THERMOPLASTIC¹		
93144696	LEXPWREM	Thermoplastic Exit Sign, Red Letters, White Housing, Battery Backup
93144697	LEXPWRA0	Thermoplastic Exit Sign, Red Letters, White Housing, AC only
93144698	LEXPWGEM	Thermoplastic Exit Sign, Green Letters, White Housing, Battery Backup
93144699	LEXPWGA0	Thermoplastic Exit Sign, Green Letters, White Housing, AC only
93144700	LEXPBREM	Thermoplastic Exit Sign, Red Letters, Black Housing, Battery Backup
93144741	LEXPBRA0	Thermoplastic Exit Sign, Red Letters, Black Housing, AC only
93144742	LEXPBGEM	Thermoplastic Exit Sign, Green Letters, Black Housing, Battery Backup
93144743	LEXPBGA0	Thermoplastic Exit Sign, Green Letters, Black Housing, AC only
STEEL - CODE SPECIFIC²		
93144754	LEXSTWREMNY	New York City Compliant Steel Exit Sign, Universal Double/Single Face, Red Letters, White Housing, Battery Backup
93144755	LEXSTWRA0NY	New York City Compliant Steel Exit Sign, Universal Single/Double Face, Red Letters, White Housing, AC Only
93144756	LEXSTBREMNY	New York City Compliant Steel Exit Sign, Universal Single/Double Face, Red Letters, Black Housing, Battery Backup
93144757	LEXSTBRA0NY	New York City Compliant Steel Exit Sign, Universal Single/Double Face, Red Letters, Black Housing, AC Only

Notes:

1. Thermoplastic models are CA CEC T20 compliant
2. City of Chicago – coming soon

Ordering Notes:

- More options available, contact manufacturer for quote
- ALWAYS REFER TO INSTALLATION GUIDES FOR PRODUCT COMPATIBILITY AND PROPER INSTALLATION PROCESS

Lumination® LEX Series

LEX Exit Sign

Dimensions

CUSTOMER NAME

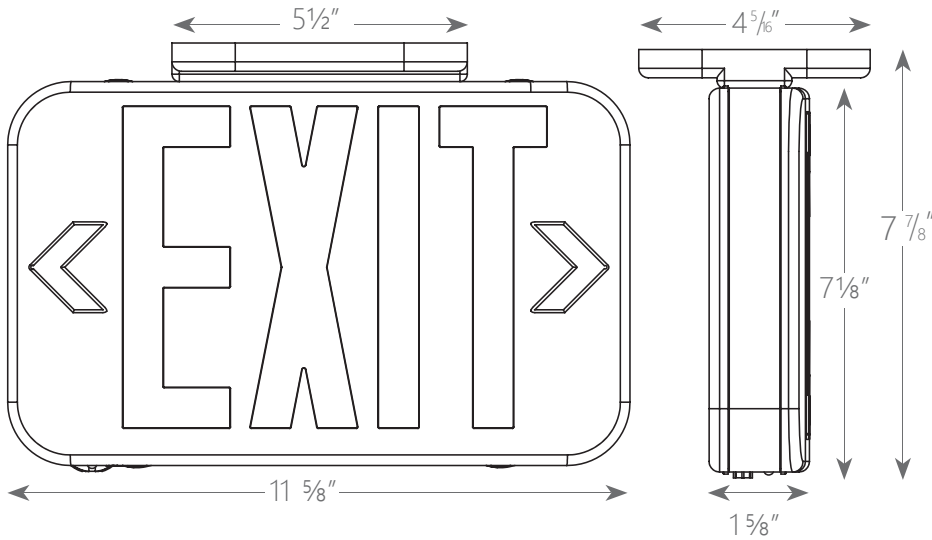
Project Name _____

Date _____ Type _____

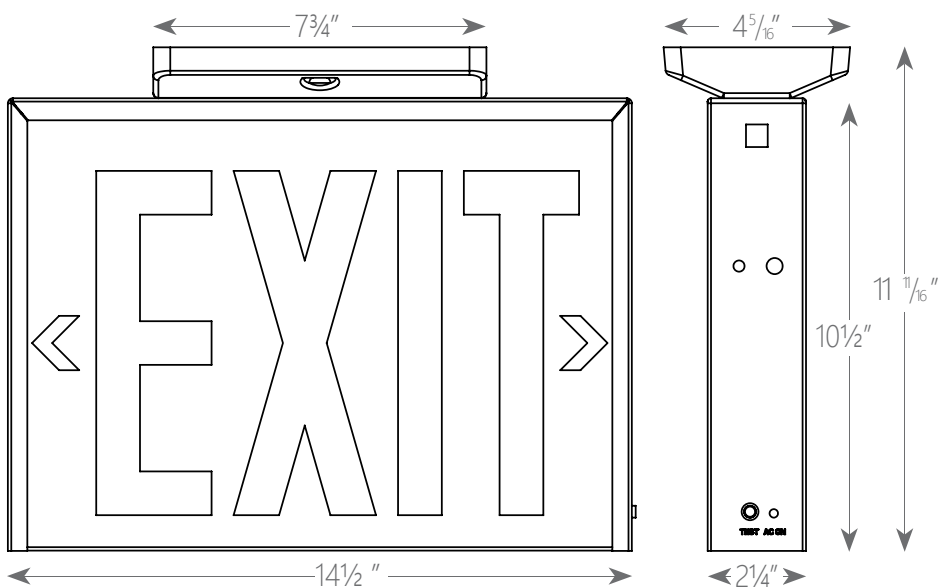
Catalog Number _____

MODELS

Thermoplastic (Standard & CA CEC T20):



Steel (NYC):



Lumination® LEX Series

LEX Exit Sign

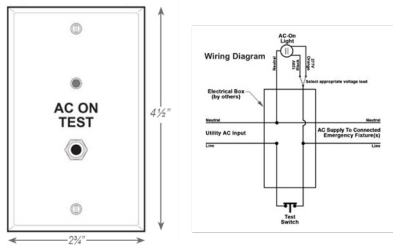
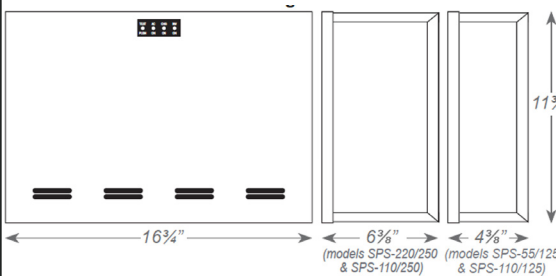
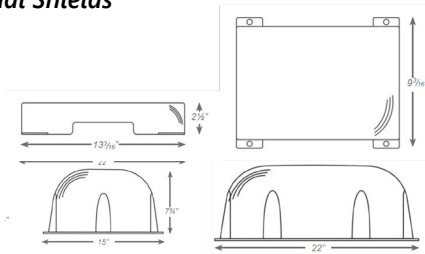

Accessories

AGENT/DISTRIBUTOR NAME-LOGO _____

Project Name _____

Date _____ Type _____

Catalog Number _____

ACCESSORY TYPE	CATALOG LOGIC	SPECIFICATION NOTES
<p>Remote Test Switch</p> 	<p>SKU# 93144798 LEARTS</p>	<ul style="list-style-type: none"> • Field selectable 120V or 277V. • Power "ON" LED indicator light and push-to-test switch for mandated code compliance testing. • Remote Test Switch can be mounted to any standard switch box, and suitable for wall or ceiling mount. • Injection-molded, engineering grade, V-0 flame retardant mounting plate in white finish.
<p>Surface Mount Inverters</p> 	<p>SKU# 93144805 LEAI1 (110W/125VA)</p> <p>SKU# 93144806 LEAI2 (220W/250VA)</p>	<ul style="list-style-type: none"> • Pulse width modulated (PWM) output design provides clean, 60 Hz. sinusoidal emergency power to loads. • Input <ul style="list-style-type: none"> ◦ Input Voltages: 120 or 277VAC ±10% ◦ Input Frequencies: 60Hz ±2% ◦ Input Protection: AC Line Fuses • Output <ul style="list-style-type: none"> ◦ Output Voltages: (60Hz) 120 or 277VAC ◦ Efficiency Rating: 98% at full rated load (line) ◦ Waveform: Sinusoidal (digitally controlled) ◦ Static Voltage: ±5% during battery discharge. 0-100% linear load. ◦ Output Frequencies: 60Hz. ±0.3Hz during emergency cycle ◦ Output Distortion: Less than 3% THD (linear load) ◦ Transfer Time: Less than 1.0 second ◦ Load Power Factor Range: 0.44 Lead to 0.44 Lag ◦ Minimum Loading: 0% of rated system capacity ◦ Output Protection: Line and inverter fuses
<p>Vandal Shields</p> 	<p>SKU# 93144799 LEAVSS1 (Thermoplastic models)</p> <p>SKU# 93144800 LEAVSS2 (Thermoplastic & Steel models)</p>	<ul style="list-style-type: none"> • High-impact resistant polycarbonate material. • Mounting hardware provided for easy installation in the field.
<p>Wire Guards</p> 	<p>SKU# 93144803 LEAWGS1 (Thermoplastic & Steel Models)</p>	<ul style="list-style-type: none"> • Durable 9-gauge steel construction. • Mounting hardware provided for easy installation in the field.

Ordering Notes:

- More options available, contact manufacturer for quote
- ALWAYS REFER TO INSTALLATION GUIDES FOR PRODUCT COMPATIBILITY AND PROPER INSTALLATION PROCESS

ProLine®

Every contractor deserves a Fast, Reliable, and Trusted Lighting Partner



For Product or Technical Questions:

Email: lightingproinfo@gecurrent.com

Phone: +1 888 694 3533, option 2