

Lumination® LEX Series

Edgelit Emergency Exit Lighting



CUSTOMER NAME _____

Project Name _____

Date _____ Type _____

Catalog Number _____

The **Lumination®** LEX LED edgelit panel Exit Sign Series is an architectural exit sign series, available in a variety of housing and face panel styles, finish and letter colors, with options for either integral battery back-up or hard-wired. To complete your projects, matching accessories are offered separately.

*CA T20 & New York City code compliant available now;
City of Chicago - coming soon.

CONSTRUCTION

Housing:	Premium-grade extruded aluminum
Fixture Color:	Aluminum frame Made-to-order option, inquire with manufacturer
Weight:	4.3 to 8.5 lbs
Optical Assembly:	UV-stabilized clear acrylic edgelit panel with mylar
Panel Type:	Single or Double Face
Panel LED Color:	Red or Green LED NYC: Red 8-inch EXIT letters

ELECTRICAL

Input Voltage:	120V-277V
Input Frequency:	60Hz
Input Wattage/Amperage:	3.6W / 0.03A (120V), 4.0W / 0.02A (277V)
Battery:	Rechargeable NiCd Battery 4.8V min 90-minute emergency illumination

CODE COMPLIANCE

Meets UL924, NFPA 101 Life Safety Code, NEC, OSHA, Local and State Codes	
Standard:	Aluminum
NYC:	Aluminum
California:	Aluminum

OPERATING AMBIENT TEMPERATURE

Product ID	Operating Temperature
LEX-EP	0°C (32°F) TO +50°C (95°F)

MOUNTING

- **Edgelit Panel:**
 - Aluminum mounting canopy included for universal top, end, or back mount
 - Self-adhesive chevron appliques and guide template provided for directional indication

ADDITIONAL NOTES

- Charge rate/power "ON" LED indicator light and push-to-test switch for mandated code compliance testing
- Internal solid-state transfer switch automatically connects the internal battery to LED lamp heads for minimum 90 minute emergency illumination
- Fully automatic solid-state, two-rate charger initiates battery charging to recharge a discharged battery in 24 hours

DESIGN LIFE & WARRANTY

- **Current's Limited 5-year Warranty**
Please refer to IND699 for more information.



Lumination® LEX Series

Edgelit Emergency Exit Lighting

Catalog Logic

CUSTOMER NAME

Project Name _____

Date _____ Type _____

Catalog Number _____

MATERIAL NUMBER	CATALOG LOGIC	MATERIAL DESCRIPTION
EDGEKIT PANEL		
93144744	LEXEPA1RCLEMSD	Edgelit Aluminum Exit Sign, Single Face, Red Letters, Clear Panel, Aluminum Housing, Battery Backup, No Dual Circuit Operation / No Special Voltage, Self-Diagnostics
93144745	LEXEPA1RCLEM	Edgelit Aluminum Exit Sign, Single Face, Red Letters, Clear Panel, Aluminum Housing, Battery Backup, No Dual Circuit Operation / No Special Voltage, No Self-Diagnostics
93144747	LEXEPA1GCLEM	Edgelit Aluminum Exit Sign, Single Face, Green Letters, Clear Panel, Aluminum Housing, Battery Backup, No Dual Circuit Operation / No Special Voltage, No Self-Diagnostics
93144746	LEXEPA1GCLEMSD	Edgelit Aluminum Exit Sign, Single Face, Green Letters, Clear Panel, Aluminum Housing, Battery Backup, No Dual Circuit Operation / No Special Voltage, Self-Diagnostics
93144749	LEXEPARMREM	Edgelit Aluminum Exit Sign, Double Face, Red Letters, Mirror Panel, Aluminum Housing, Battery Backup, No Dual Circuit Operation / No Special Voltage, No Self-Diagnostics
93144748	LEXEPARMREMSD	Edgelit Aluminum Exit Sign, Double Face, Red Letters, Mirror Panel, Aluminum Housing, Battery Backup, No Dual Circuit Operation / No Special Voltage, Self-Diagnostics
93144750	LEXEPARMRA0	Edgelit Aluminum Exit Sign, Double Face, Red Letters, Mirror Panel, Aluminum Housing, AC Only, No Dual Circuit Operation / No Special Voltage, No Self-Diagnostics
93144751	LEXEPAGMREMSD	Edgelit Aluminum Exit Sign, Double Face, Green Letters, Mirror Panel, Aluminum Housing, Battery Backup, No Dual Circuit Operation / No Special Voltage, Self-Diagnostics
93144752	LEXEPAGMREM	Edgelit Aluminum Exit Sign, Double Face, Green Letters, Mirror Panel, Aluminum Housing, Battery Backup, No Dual Circuit Operation / No Special Voltage, No Self-Diagnostics
93144753	LEXEPAGMRA0	Edgelit Aluminum Exit Sign, Double Face, Green Letters, Mirror Panel, Aluminum Housing, AC Only, No Dual Circuit Operation / No Special Voltage, No Self-Diagnostics
EDGEKIT PANEL - CODE SPECIFIC		
93144759	LEXEPARNY	New York City Compliant Edgelit Aluminum Exit Sign, Single Face, Red Letters, Clear Panel, Aluminum Housing, Battery Backup, No Self-Diagnostics, Dual 120/277 Voltage
93144758	LEXEPARNYSD	New York City Compliant Edgelit Aluminum Exit Sign, Single Face, Red Letters, Clear Panel, Aluminum Housing, Battery Backup, Self-Diagnostics, Dual 120/277 Voltage
93144760	LEXEPARNYA0	New York City Compliant Edgelit Aluminum Exit Sign, Single Face, Red Letters, Clear Panel, Aluminum Housing, AC Only, No Self-Diagnostics, Dual 120/277 Voltage
93144761	LEXEPARMREMNYSD	New York City Compliant Edgelit Aluminum Exit Sign, Double Face, Red Letters, Mirror Panel, Aluminum Housing, Battery Backup, Self-Diagnostics, Dual 120/277 Voltage
93144762	LEXEPARMREMNY	New York City Compliant Edgelit Aluminum Exit Sign, Double Face, Red Letters, Mirror Panel, Aluminum Housing, Battery Backup, No Self-Diagnostics, Dual 120/277 Voltage
93144763	LEXEPARMRA0NY	New York City Compliant Edgelit Aluminum Exit Sign, Double Face, Red Letters, Mirror Panel, Aluminum Housing, AC Only, No Self-Diagnostics, Dual 120/277 Voltage

Ordering Notes

- More options available. Contact manufacturer for quote.
- City of Chicago - **Coming Soon!**
- ALWAYS REFER TO INSTALLATION GUIDES FOR PRODUCT COMPATIBILITY AND PROPER

Lumination® LEX Series

Edgelit Emergency Exit Lighting

Dimensions & Accessories

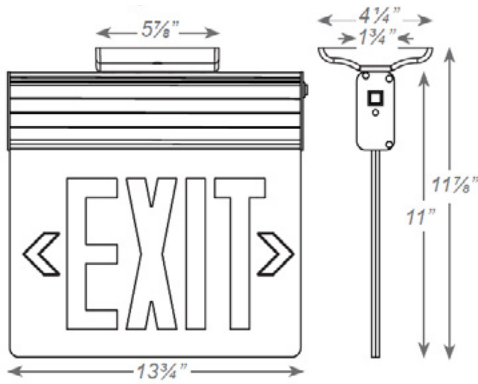
AGENT/DISTRIBUTOR NAME-LOGO

Project Name _____

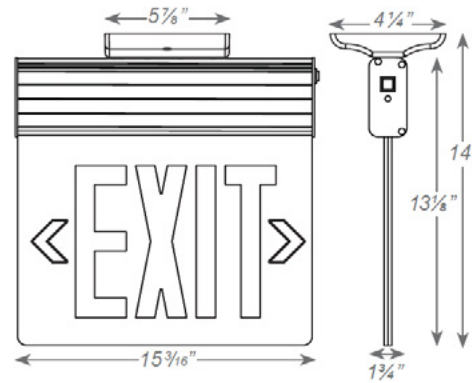
Date _____ Type _____

Catalog Number _____

EDGELIT PANEL (STANDARD & CA CEC T20)



EDGELIT PANEL (NYC)



ACCESSORY TYPE	MATERIAL NUMBER CATALOG LOGIC	SPECIFICATION NOTES
Remote Test Switch 	93144798 LEARTS	<ul style="list-style-type: none"> Field selectable 120V or 277V. Power "ON" LED indicator light and push-to-test switch for mandated code compliance testing. Remote Test Switch can be mounted to any standard switch box, and suitable for wall or ceiling mount. Injection-molded, engineering grade, V-0 flame retardant mounting plate in white finish.
Surface Mount Inverters 	93144805 LEA11 (110W/125VA) 93144806 LEA12 (220W/250VA)	<ul style="list-style-type: none"> Pulse width modulated (PWM) output design provides clean, 60 Hz, sinusoidal emergency power to loads. Input Input Voltages: 120 or 277VAC ±10% Input Frequencies: 60Hz ±2% Input Protection: AC Line Fuses Output Output Voltages: (60Hz) 120 or 277VAC Efficiency Rating: 98% at full rated load (line) Waveform: Sinusoidal (digitally controlled) Static Voltage: ±5% during battery discharge. 0-100% linear load. Output Frequencies: 60Hz. ±0.3Hz during emergency cycle Output Distortion: Less than 3% THD (linear load) Transfer Time: Less than 1.0 second Load Power Factor Range: 0.44 Lead to 0.44 Lag Minimum Loading: 0% of rated system capacity Output Protection: Line and inverter fuses
Vandal Shields 	93144800 LEAVSS2 (EdgelitModels)	<ul style="list-style-type: none"> High-impact resistant polycarbonate material. Mounting hardware provided for easy installation in the field

For Product or Technical Questions:

Email: lightingproinfo@gecurrent.com

Phone: +1 888 694 3533, option 2