



Application illustration only, subject lamps not used in photo.



## Type B Double Ended T8 LED Tubes (Ballast Bypass) Glass 2' - 8'

Convert your existing linear fluorescent fixture to LED lighting without needing a comprehensive reinstall. LED tubes are ideal for those seeking high energy savings with minimal installation time. The existing fixture is wired to bypass the ballast, which further reduces energy use and eliminates the need to check ballast compatibility. Additional maintenance savings are realized by removing costs associated with replacing ballasts.

### FEATURES

- Glass and PET Plastic Coated Glass option
- 2' - 8' T8 Tubes
- 4' available in 3 lumen outputs- 11W/1650, 14W/1800, 16W/2200
- Available in 3000K, 3500K, 4000K and 5000K
- 50,000 hour rated life
- Open or enclosed fixtures
- Ambient operating temperature -4°F to 113°F
- Non-dimmable
- Internal Misapplication Circuit: Provides protection if lamp is placed into ballasted fixture
- Internal Safety Switch-Provides protection for the installer
- 5 year limited warranty

### RECOMMENDATIONS

- Use In-line fuse kit to protect against future re-lamp misapplications
- In-line fuse available for ordering separately

### BENEFITS

- Fast and easy LED upgrade
- Low energy LFL replacement
- 66% longer life than LFL (50,000 vs. 30,000 hours)
- Better quality of light
  - instant on
- Fully illuminates fixture
  - >270° light distribution
- Easy disposal, non-hazardous waste
- Simply wire to bypass ballast-eliminating future ballast replacement costs
- No socket replacement necessary-use with shunted or non-shunted sockets

### PET PLASTIC COATED GLASS OPTION

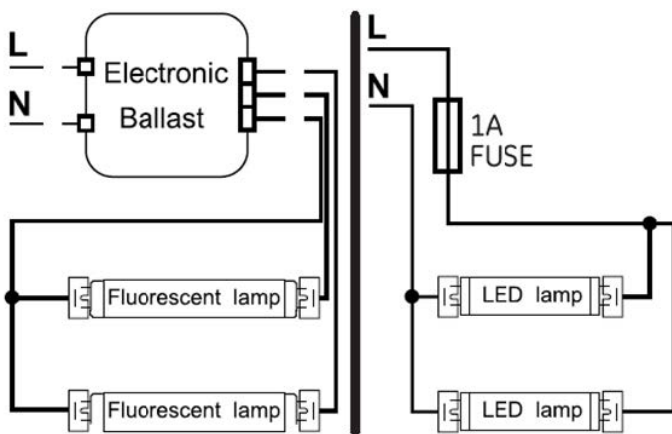
- Shatter protection
- PET plastic coating provides containment, eliminating downtime
- NSF rated

## LED Tubes Type B Double-Ended

Base Type	Type	Watts	Order Code	Description	Volts	Case Qty**	MOL (In)	Lumens Initial	Initial Color Temp	CRI	Wattage Replacement	*Rated Life L70 (Hrs)	Power Factor	DLC ®	UL	#Location Rating	Additional Information
<b>Ballast Bypass- 8 ft LED Glass Tubes</b>																	
T8	Fa8	34	93122170	LED34BDT8/G/8/830	120-277	20	96	4000	3000K	80		50,000	>.9	Yes	Yes	Damp	Double Ended Power
	Fa8	34	93122171	LED34BDT8/G/8/835	120-277	20	96	4000	3500K	80		50,000	>.9	Yes	Yes	Damp	Double Ended Power
	Fa8	34	93122172	LED34BDT8/G/8/840	120-277	20	96	4400	4000K	80		50,000	>.9	Yes	Yes	Damp	Double Ended Power
	Fa8	34	93122174	LED34BDT8/G/8/850	120-277	20	96	4400	5000K	80		50,000	>.9	Yes	Yes	Damp	Double Ended Power
<b>Ballast Bypass- 4 ft LED Glass Tubes</b>																	
T8	G13	16	93123476	LED16BDT8/G4/830	120-277	20	48	2100	3000	80		50,000	>.9	Pending	Yes	Damp	Double Ended Power
	G13	16	93125618	LED16BDT8/G4/835	120-277	20	48	2150	3500	80		50,000	>.9	Pending	Yes	Damp	Double Ended Power
	G13	16	93125620	LED16BDT8/G4/840	120-277	20	48	2200	4000	80		50,000	>.9	Pending	Yes	Damp	Double Ended Power
	G13	16	93125622	LED16BDT8/G4/850	120-277	20	48	2200	5000	80		50,000	>.9	Pending	Yes	Damp	Double Ended Power
	G13	14	39493	LED14BDT8/G4/830	120-277	20	48	1700	3000K	80		50,000	>.9	Yes	Yes	Damp	Double Ended Power
	G13	14	39494	LED14BDT8/G4/835	120-277	20	48	1750	3500K	80		50,000	>.9	Yes	Yes	Damp	Double Ended Power
	G13	14	39498	LED14BDT8/G4/840	120-277	20	48	1800	4000K	80		50,000	>.9	Yes	Yes	Damp	Double Ended Power
	G13	14	39519	LED14BDT8/G4/850	120-277	20	48	1850	5000K	80		50,000	>.9	Yes	Yes	Damp	Double Ended Power
	G13	11	93117212	LED11BDT8/G4/830	120-277	20	48	1600	3000K	80		50,000	>.9	-	Yes	Damp	Double Ended Power
	G13	11	93117213	LED11BDT8/G4/835	120-277	20	48	1650	3500K	80		50,000	>.9	Yes	Yes	Damp	Double Ended Power
	G13	11	93117214	LED11BDT8/G4/840	120-277	20	48	1650	4000K	80		50,000	>.9	Yes	Yes	Damp	Double Ended Power
	G13	11	93117215	LED11BDT8/G4/850	120-277	20	48	1700	5000K	80		50,000	>.9	Yes	Yes	Damp	Double Ended Power
<b>Ballast Bypass- 3ft LED Glass Tubes</b>																	
T8	G13	12	39525	LED12BDT8/G3/830	120-277	20	36	1450	3000K	80		50,000	>.9	Yes	Yes	Damp	Double Ended Power
	G13	12	39547	LED12BDT8/G3/835	120-277	20	36	1500	3500K	80		50,000	>.9	Yes	Yes	Damp	Double Ended Power
	G13	12	39554	LED12BDT8/G3/840	120-277	20	36	1550	4000K	80		50,000	>.9	Yes	Yes	Damp	Double Ended Power
	G13	12	39557	LED12BDT8/G3/850	120-277	20	36	1550	5000K	80		50,000	>.9	Yes	Yes	Damp	Double Ended Power
<b>Ballast Bypass- 2 ft LED Glass Tubes</b>																	
T8	G13	9	39558	LED9BDT8/G2/830	120-277	20	24	1100	3000K	80		50,000	>.9	Yes	Yes	Damp	Double Ended Power
	G13	9	39560	LED9BDT8/G2/835	120-277	20	24	1100	3500K	80		50,000	>.9	Yes	Yes	Damp	Double Ended Power
	G13	9	39561	LED9BDT8/G2/840	120-277	20	24	1150	4000K	80		50,000	>.9	Yes	Yes	Damp	Double Ended Power
	G13	9	39563	LED9BDT8/G2/850	120-277	20	24	1200	5000K	80		50,000	>.9	Yes	Yes	Damp	Double Ended Power
<b>Ballast Bypass- 4 ft LED Tube- PET Plastic Coated Glass</b>																	
T8	G13	14	93123123	LED14BDT8/G4/830CT	120-277	20	48	1650	3000K	80		50,000	>.9	Pending	Yes	Damp	Shatter containment, NSF
	G13	14	93123124	LED14BDT8/G4/835CT	120-277	20	48	1750	3500K	80		50,000	>.9	Pending	Yes	Damp	Shatter containment, NSF
	G13	14	93123316	LED14BDT8/G4/840CT	120-277	20	48	1750	4000K	80		50,000	>.9	Pending	Yes	Damp	Shatter containment, NSF
	G13	14	93123317	LED14BDT8/G4/850CT	120-277	20	48	1800	5000K	80		50,000	>.9	Pending	Yes	Damp	Shatter containment, NSF

## In-Line Fuse

Order Code	Description	Kit Contents
39017	BT8-1AFUSEKIT	1 Fuse (1A), 1 Fuse Holder



To learn more about saving money and energy, go to [www.gecurrent.com](http://www.gecurrent.com).



**GE current**  
a Daintree company

[www.gecurrent.com](http://www.gecurrent.com)

© 2020 Current Lighting Solutions, LLC. All rights reserved. GE is a trademark of the General Electric Company and is used under license.

LEDL063 (Rev 02/26/20)