

Double-Ended Ballast Bypass

UL Type B LED Tubes

Convert your existing linear fluorescent fixture **without** needing a **comprehensive re-install.**

Type B Double Ended Ballast Bypass

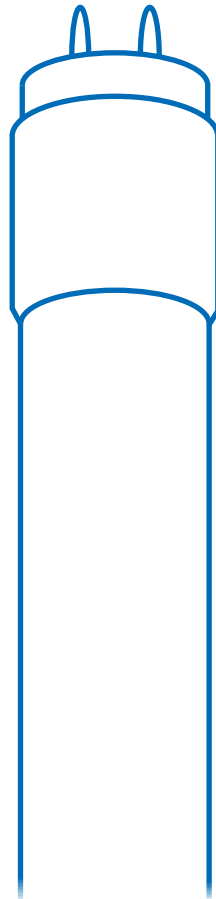
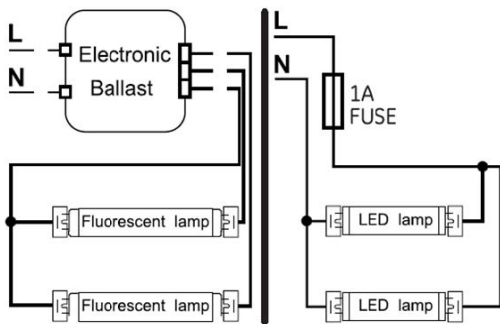
- Fast and easy LED upgrade
- Eliminate future ballast replacement costs
- No socket replacement necessary



Why Type B LED tube is right for you

How It Works

GE's Double-Ended Type B LED tubes are ideal for those seeking high energy savings with minimal installation time. The existing fixture is wired to bypass the ballast, which further reduces energy use and eliminates the need to check ballast compatibility.



Uses no external driver or ballast

Eliminates compatibility issues

Excellent efficacy and additional maintenance savings

Internal safety switch for installation protection

No socket replacement necessary

Higher initial installation costs

Additional safety precautions

Fuse recommended, but not required

current
powered by GE

www.LED.com

GE and the GE Monogram are trademarks of the General Electric Company. All other trademarks are the property of their respective owners. Information provided is subject to change without notice. All values are design or typical values when measured under laboratory conditions. GE Lighting and GE Lighting Solutions, LLC are businesses of the General Electric Company. © 2018 GE.

LEDL070 (Rev 10/24/18)

