



Application illustration only, subject lamps not used in photo.



## Type B Double Ended T5 HO LED Tubes (Ballast Bypass) Glass 2' - 4'

Convert your existing linear fluorescent fixture to LED lighting without needing a comprehensive reinstall. LED tubes are ideal for those seeking high energy savings with minimal installation time. The existing fixture is wired to bypass the ballast, which further reduces energy use and eliminates the need to check ballast compatibility. Additional maintenance savings are realized by removing costs associated with replacing ballasts.

### FEATURES

- 2' - 4' T5 Tubes
  - 4' Tube: 25 Watts, 3300-3600 lumens
- Available in 3000K, 3500K, 4000K and 5000K
- 50,000 hour rated life
- Open or enclosed fixtures
- Ambient operating temperature -4°F to 113°F
- Non-dimmable
- Symmetrical Light Distribution- provides balanced replacement lighting and no dark spots in the fixture
- Misapplication Switch -lamp will remain safe if installed with ballast and will operate normally once placed in correct application
- Internal Safety Switch-protects installers
- 5 year limited warranty

### RECOMMENDATIONS

- Use In-line fuse kit to protect against future re-lamp misapplications
- In-line fuse available for ordering separately

### BENEFITS

- Fast and easy LED upgrade
- Low energy LFL replacement
- 66% longer life than LFL (50,000 vs. 30,000 hours)
- Better quality of light
  - instant on
- Fully illuminates fixture
  - >270° light distribution
- Easy disposal, non-hazardous waste
- Simply wire to bypass ballast-eliminating future ballast replacement costs
- No socket replacement necessary-use with shunted or non-shunted sockets

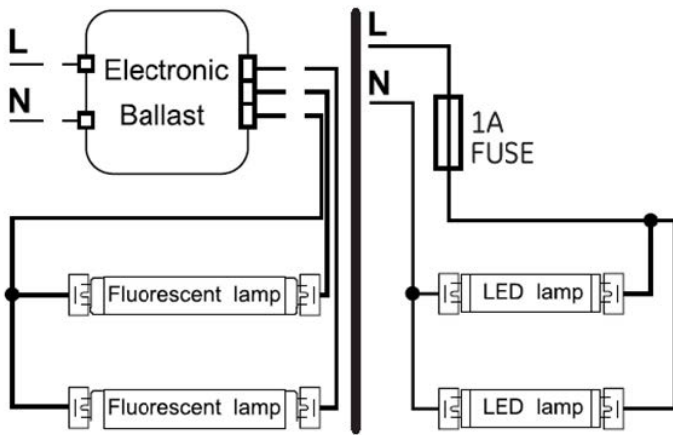
# LED Tubes Type B - Double Ended



Base Type	Type	Watts	Order Code	Description	Volts	Case Qty**	MOL (In)	Lumens Initial	Initial Col- or Temp	CRI	Wattage Replacement	*Rated Life L70 (Hrs)	Power Factor	DLC ®	UL	#Location Rating	Additional Information
<b>Ballast Bypass- 4 ft LED T5 HO Glass Tubes</b>																	
T5	25	93100292	LED25BDT5/G4/830	120-277	20	46	3300	3000	80			50,000	>.9	Yes	Yes	Damp	Double Ended Power
	25	93100293	LED25BDT5/G4/835	120-277	20	46	3400	3500	80			50,000	>.9	Yes	Yes	Damp	Double Ended Power
	25	93100294	LED25BDT5/G4/840	120-277	20	46	3500	4000	80			50,000	>.9	Yes	Yes	Damp	Double Ended Power
	25	93100295	LED25BDT5/G4/850	120-277	20	46	3600	5000	80			50,000	>.9	Yes	Yes	Damp	Double Ended Power
<b>Ballast Bypass- 3ft LED T5 HO Glass Tubes</b>																	
T5	17	93114325	LED17BDT5/G3/830	120-277	20	33	2300	3000	80			50,000	>.9	-	Yes	Damp	Double Ended Power
	17	93114626	LED17BDT5/G3/835	120-277	20	33	2400	3500	80			50,000	>.9	-	Yes	Damp	Double Ended Power
	17	93114629	LED17BDT5/G3/840	120-277	20	33	2500	4000	80			50,000	>.9	-	Yes	Damp	Double Ended Power
	17	93114814	LED17BDT5/G3/850	120-277	20	33	2550	5000	80			50,000	>.9	-	Yes	Damp	Double Ended Power
<b>Ballast Bypass- 2 ft LED T5 HO Glass Tubes</b>																	
T5	11	93113793	LED11BDT5/G2/830	120-277	20	22	1500	3000	80			50,000	>.9	-	Yes	Damp	Double Ended Power
	11	93114322	LED11BDT5/G2/835	120-277	20	22	1550	3500	80			50,000	>.9	-	Yes	Damp	Double Ended Power
	11	93114323	LED11BDT5/G2/840	120-277	20	22	1600	4000	80			50,000	>.9	-	Yes	Damp	Double Ended Power
	11	93114324	LED11BDT5/G2/850	120-277	20	22	1650	5000	80			50,000	>.9	-	Yes	Damp	Double Ended Power

## In-Line Fuse - Type B

Order Code	Description	Kit Contents
39017	BT8-1AFUSEKIT	1 Fuse (1A), 1 Fuse Holder



To learn more about saving money and energy, go to: [www.gecurrent.com](http://www.gecurrent.com)



**GE current**  
a Daintree company

[www.gecurrent.com](http://www.gecurrent.com)

GE and the GE Monogram are trademarks of the General Electric Company and are used under license. Information provided is subject to change without notice. All values are design or typical values when measured under laboratory conditions, and GE makes no warranty or guarantee, express or implied, that such performance will be obtained under end-use conditions. © 2019 Current, powered by GE

LEDL081 (Rev 12/06/19)