

# Ballast Bypass LED U-Tubes

## Type B Double Ended U-Tubes

### Product Description:

Convert your existing linear fluorescent fixture to LED lighting without needing a comprehensive reinstall. LED tubes are ideal for those seeking high energy savings with minimal installation time. The existing fixture is wired to bypass the ballast, which further reduces energy use and eliminates the need to check ballast compatibility. Additional maintenance savings are realized by removing costs associated with replacing ballasts.

### Performance Highlights:

**Light Output Range:** 1750-1850 Lumens

**CRI:** 80

**CCT:** 3000K, 3500K, 4000K & 5000K

**Input Voltage:** 120-277V

**Efficiency:** Up to 142 LPW

**Wattage:** 13W

**Limited Warranty:** 5 Years / 50,000 hours

**Temperature Rating:** -20°C to +45°C

**Rating:** Damp

**Fixtures:** Open or Enclosed



### Certifications: DLC & UL

### Benefits:

- Fast and easy LED upgrade
- Low energy LFL replacement
- 2X longer life than LFL (50,000 vs. 24,000 hours)
- Better quality of light-instant on
- Easy disposal, non-hazardous waste
- Additional Cost Savings-ballast bypass

### Safety Features:

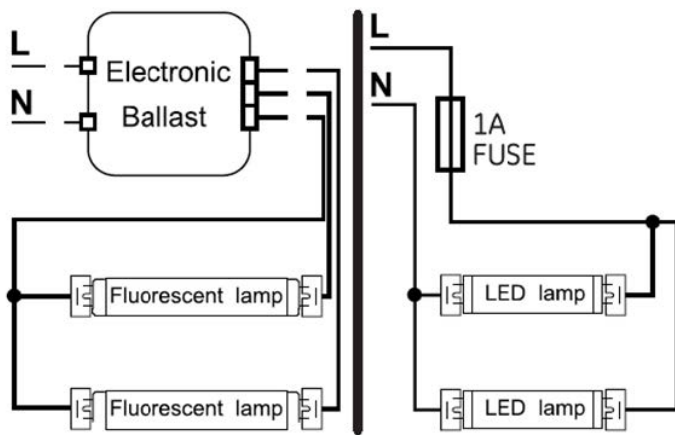
- **Internal Misapplication Circuit:** Provides protection if lamp is placed into ballasted fixture
- **Internal Safety Switch:** Provides protection for the installer
- **In-line Fuse Kit:** Used to protect against future re-lamp misapplications  
*\*In-line fuse available for ordering separately*

Current LED Type B Double Ended U-Tubes

Base Type	Type	Watts	Order Code	Description	Volts	Case Qty**	MOL (In)	Lumens Initial	Initial Color Temp	CRI	Wattage Replacement	*Rated Life L70 (Hrs)	Power Factor	DLC®	UL Rating	#Location Rating	Additional Information
<b>Ballast Bypass Type B Double Ended LED U1-Tubes</b>																	
T8	2G13	13	93107387	LED13BDT8/U/830	120-277	15	22.5	1750	3000K	80		50,000	>.9	Yes	Yes	Damp	Double Ended Power
	2G13	13	93107352	LED13BDT8/U/835	120-277	15	22.5	1800	3500K	80		50,000	>.9	Yes	Yes	Damp	Double Ended Power
	2G13	13	93107388	LED13BDT8/U/840	120-277	15	22.5	1850	4000K	80		50,000	>.9	Yes	Yes	Damp	Double Ended Power
	2G13	13	93107389	LED13BDT8/U/850	120-277	15	22.5	1850	5000K	80		50,000	>.9	Yes	Yes	Damp	Double Ended Power
<b>Ballast Bypass Type B Double Ended LED U6-Tubes</b>																	
T8	2G13	13	93133049	LED13BDT8/U6/830	120-277	12	22.5	1750	3000K	80		50,000	>.9	Yes	Yes	Damp	Double Ended Power
	2G13	13	93133050	LED13BDT8/U6/835	120-277	12	22.5	1800	3500K	80		50,000	>.9	Yes	Yes	Damp	Double Ended Power
	2G13	13	93133051	LED13BDT8/U6/840	120-277	12	22.5	1850	4000K	80		50,000	>.9	Yes	Yes	Damp	Double Ended Power
	2G13	13	93133052	LED13BDT8/U6/850	120-277	12	22.5	1850	5000K	80		50,000	>.9	Yes	Yes	Damp	Double Ended Power

In-Line Fuse & Socket Kit

Order Code	Description	Kit Contents
39017	BT8-1AFUSEKIT	1 Fuse (1A), 1 Fuse Holder



To learn more about saving money and energy, go to [www.gecurrent.com](http://www.gecurrent.com).

