



# ACCESSORIES

REFER TO ACCESSORY INDEX BELOW TO MATCH ACCESSORY WITH PRODUCT.  
ILLUSTRATIONS SHOWN ARE TYPICAL REPRESENTATIONS.

See following Accessory pages for dimension drawings and descriptions.

LEGEND: ////////////// = Accessory can be used.

INDEX	PRODUCT															
Ordering Number	Filter-glow	Dura-glow	Omni-glow	Versa-beam	Omni-beam	Uniglow 400/1000	CHB,CLB	GHB Warehouse	GHB Prismatic	Lowmount II	Lowmount 400	Unimount GLB	Lowmount 150	Garage Gard		
<b>DOOR ASSEMBLIES</b>																
DGD4-GHBP									//////////4							
EAL2-GHBP					//////////5		//////////8	//////////5								
EAL6-GHBP								//////////6								
EAPL2-GHBP					//////////5		//////////8	//////////5								
EAPL6-GHBP								//////////6								
EARL6-GHBP								//////////6								
<b>DOOR GLASS</b>																
DGA6-GHBB							1	2								
<b>EXTERNAL LIGHT SHIELD</b>																
ELS-GGD														//////////		
<b>FUSE KITS</b>																
FK1-IND	//////////	//////////	//////////	//////////	//////////	//////////	3	//////////	//////////	//////////	//////////	//////////	//////////	//////////		
FK2-IND	//////////	//////////	//////////	//////////	//////////	//////////	3	//////////	//////////	//////////	//////////	//////////	//////////	//////////		
<b>HIGH BAY REFLECTOR RETENTION CLIP (Required on CHB reflector when using H2000-NE)</b>																
CHB-GC							7									

## CRANE MOUNTED REMOTE BALLAST

<b>HORIZONTAL SURFACE MOUNTING BRACKET (For Remote Mounting Filterglow® Luminaire large ballast housing)</b>																
HSM-FGL	//////////	//////////														
<b>VERTICAL SURFACE MOUNTING BRACKET (For Remote Mounting Filterglow Luminaire large ballast housing)</b>																
VSM-FGL	//////////	//////////														

## REMOTE BALLAST - MOUNTING

<b>MALE CONNECTOR (For Remote Mounting Filterglow Luminaire ballast housing)</b>																
MCS-FGB	//////////	//////////	//////////	VBSD												
MCD-FGB	//////////	//////////	//////////	VBSD												
<b>OPTICAL VIBRATION ISOLATION ASSEMBLY</b>																
OVI	//////////	//////////														
<b>PRIMARY ELECTRICAL DISCONNECT BOX</b>																
PEDBG-FDG	//////////	//////////	//////////	//////////	//////////	//////////	3	//////////	//////////	//////////	//////////	//////////	//////////			
<b>REMOTE BALLASTED OPTICAL MOUNTING BOX (NOTE: HPS lamps require an ignitor to be within 10 feet.)</b>																
RBOMB-FDG	//////////	//////////	//////////	VBSD												
RBOMB-FDQ	//////////	//////////	//////////	VBSD												
RBOMBA-UGUM				VBS		//////////					//////////					
RBOMBA-UGUMQ				VBS		//////////					//////////					
RBOMBF-UGUM				VBS		//////////					//////////					
RBOMBF-UGUMQ				VBS		//////////					//////////					
<b>SINGLE REMOTE POWER CONNECTOR (For dual plug connector for use with automatically switched quartz, change prefix "S" to "D") (For connectors suitable for wet locations, add "W" suffix to end of ordering number) (Wet location available only for FDG)</b>																
SRPC3-FDG	//////////	//////////	//////////	VBSD							//////////					
SRPC5-FDG	//////////	//////////	//////////	VBSD							//////////					
SRPC7-FDG	//////////	//////////	//////////	VBSD							//////////					
SRPC10-FDG	//////////	//////////	//////////	VBSD							//////////					
SRPC3A-UG				VBS		//////////						//////////				
SRPC5A-UG				VBS		//////////						//////////				
SRPC7A-UG				VBS		//////////						//////////				
SRPC10A-UG				VBS		//////////						//////////				
SRPC3F-UG						//////////						//////////				
SRPC5F-UG						//////////						//////////				
SRPC7F-UG						//////////						//////////				
SRPC10F-UG						//////////						//////////				



1-See Page I-38 for GH5 & GW5 Door Glass Limitation Table. 2-See Page I-40 for Door Glass Limitation Table.  
4-14" Glass Reflector only. 5-22" Acrylic Reflector only. 6-16" Acrylic Reflector only. 7-Use for CHB only. 8-CPB-V2 only.

# GENERATION 5 / GENERATION 6 BALLAST HOUSING ACCESSORIES

REFER TO ACCESSORY INFORMATION BELOW TO DETERMINE AVAILABILITY IN CONJUNCTION WITH GENERATION 5 PRODUCTS. THE ACCESSORIES LISTED BELOW ARE FOR GENERATION 5 ONLY.

## SLIDING DISCONNECT

FG5- Filterglow 400  
 FG6- Filterglow 1000  
 DG5- Duraglow 400  
 DG6- Duraglow 1000  
 OG5- Omniglow 400  
 OG6- Omniglow 1000  
 VS5- Versabeam  
 LM5- Lowmount II

## DIRECT OPTICAL MOUNT

VB5- Versabeam  
 OB5- Omnibeam 400  
 OB6- Omnibeam 1000  
 UG5- Uniglow 400  
 UG6- Uniglow 100  
 UW5- Uniglow 150  
 UM5- Unimount 400  
 UT5- Unimount 150  
 FP5- Foodpro

### EZ CONNECT™ HOOK (MALE) CORD AND PLUG — GEN 5 & GEN 6 ONLY

Integral hook, 3 ft (0.9 meters) usable cable #16-3, 105°C. This accessory easily plugs into the GEN 5 plug-in connector. Works only with the new GEN 5 fixtures listed above. Additional height from fixture is 3.6 in.

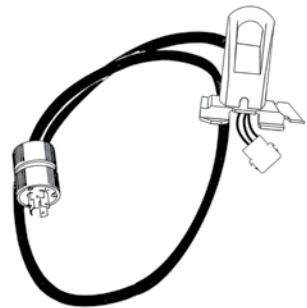
- **EZHCP120**  
120V (Plug NEMA Line #L5-15)
  - **EZHCP250**  
208V & 240V (Plug NEMA Line #L6-15)
  - **EZHCP277**  
277V (Plug NEMA Line #L7-15)
  - **EZHCP347**  
347V (20 amp plug) (P&S L3720P)
  - **EZHCP480**  
480V (Plug NEMA Line #L8-20)
- Note:** Not for use with Multivolt fixtures



### EZ CONNECT™ LOOP (MALE) CORD AND PLUG — GEN 5 & GEN 6 ONLY

Integral loop, 3 ft (0.9 meters) usable cable #16-3, 105°C. This accessory easily plugs into the GEN 5 plug-in connector. Works only with the new GEN 5 fixtures listed above. Additional height from fixture is 3.6 in.

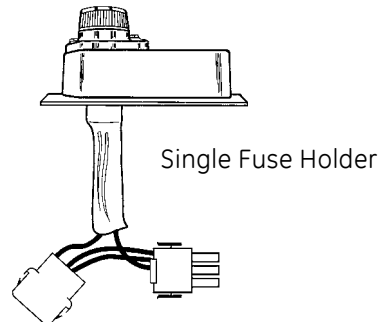
- **EZLCP120**  
120V (Plug NEMA Line #L5-15)
  - **EZLCP250**  
208V & 240V (Plug NEMA Line #L6-15)
  - **EZLCP277**  
277V (Plug NEMA Line #L7-15)
  - **EZLCP347**  
347V (20 amp plug) (P&S L3720P)
  - **EZLCP480**  
480V (Plug NEMA Line #L8-20)
- Note:** Not for use with Multivolt fixtures



### EZ CONNECT™ FUSE KITS — GEN 5 & GEN 6 ONLY

This accessory easily plugs into the GEN 5 plug-in connector. Works only with the new GEN 5 fixtures listed above.

- **EZFK1-IND**  
Single Fuse Holder (pictured)
  - **EZFK2-IND**  
Double Fuse Holder
- Note:** Not for use with Multivolt fixtures



INDOOR LIGHTING

# ACCESSORIES

REFER TO ACCESSORY INDEX TO MATCH ACCESSORY WITH PRODUCT.  
ILLUSTRATIONS SHOWN ARE TYPICAL REPRESENTATIONS.

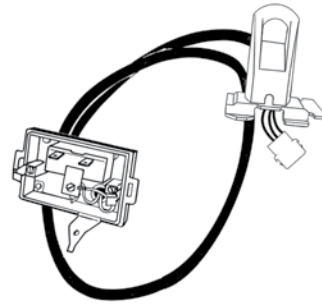
## EZ CONNECT™ LCP-RHB — GEN 5 & GEN 6 ONLY

Loop, Cord and Power Hook Plug with Generation 5 plug-in connector. For use with Receptacle/Hook Box RHBTF or RHBNTF (see next page).

**UL LISTED** Ordering numbers shown are UL Listed for load make/break. Note: Available as suitable for wet locations. Add "W" suffix to end of ordering number.

- **EZLCP-RHB**  
120V, 208V, 240V, 277V, 480V unfused
- **EZLCP-RHBF1**  
120V or 277V with single fuseholder (less fuse)
- **EZLCP-RHBF2**  
208V, 240V or 480V with double fuseholders (less fuses)

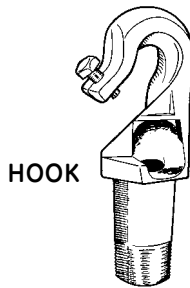
\* **NOTE:** Not for use with Multivolt Fixtures



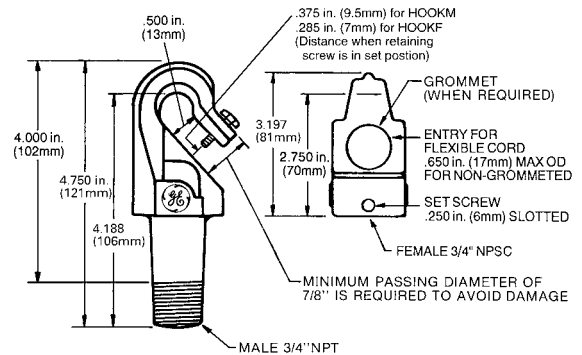
Loop, Cord and Power Hook Plug

## HOOK

- **HOOKF**  
Female
- **HOOKFG**  
Female Grommeted
- **HOOKM**  
Male
- **HOOKMG**  
Male Grommeted

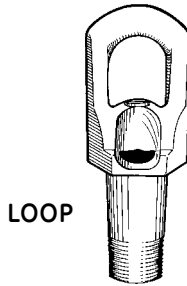


HOOK

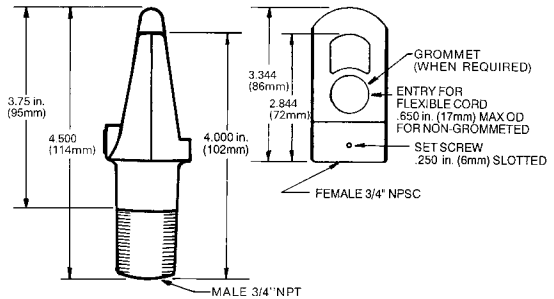


## LOOP

- **LOOPF**  
Female
- **LOOPFG**  
Female Grommeted
- **LOPM**  
Male
- **LOPMG**  
Male Grommeted



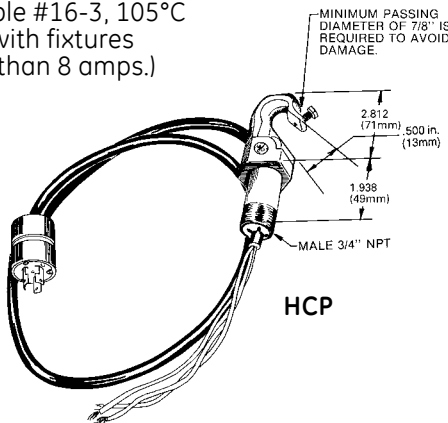
LOOP



## HOOK (MALE) CORD AND PLUG

3 ft (0.9 meters) usable cable #16-3, 105°C (Contact factory for use with fixtures with line current greater than 8 amps.)

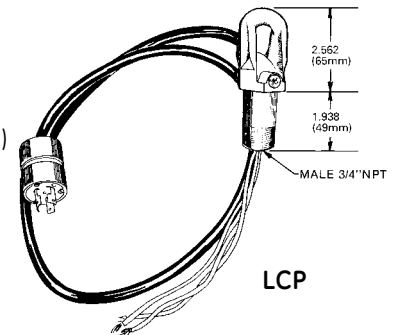
- **HCP120**  
120V (Plug NEMA Line #L5-15)
- **HCP250**  
208V & 240V (Plug NEMA Line #L6-15)
- **HCP277**  
277V (Plug NEMA Line #L7-15)
- **HCP347**  
347V (20 amp plug) (P&S L3720P)
- **HCP480**  
480V (Plug NEMA Line #L8-20)



## LOOP (MALE), CORD AND PLUG

3 ft (0.9 meters) usable cable #16-3, 105°C (Contact factory for use with fixtures with line current greater than 8 amps.)

- **LCP120**  
120V (Plug NEMA Line #L5-15)
- **LCP250**  
208V & 240 (Plug NEMA Line #L6-15)
- **LCP277**  
277V (Plug NEMA Line #L7-15)
- **LCP347**  
347V (20 amp plug) (P&S L3720P)
- **LCP480**  
480V (Plug NEMA Line #L8-20)



INDOOR LIGHTING

# ACCESSORIES

REFER TO ACCESSORY INDEX TO MATCH ACCESSORY WITH PRODUCT.  
ILLUSTRATIONS SHOWN ARE TYPICAL REPRESENTATIONS.



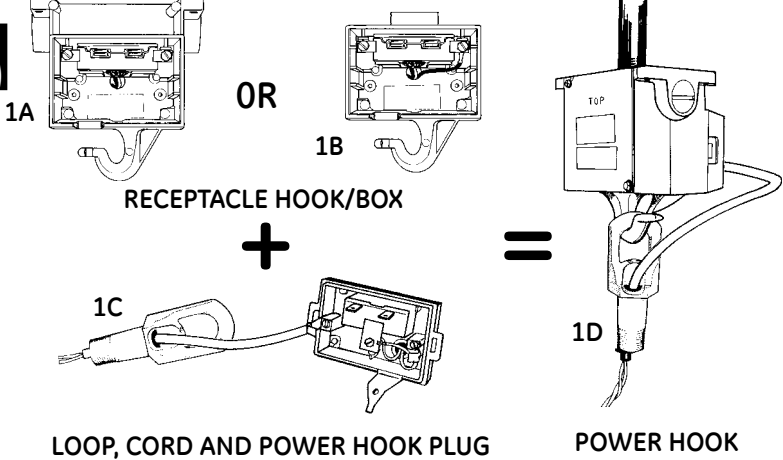
-called "Power Hook" (Figure 1D) when used with appropriate Loop, Cord and Power Hook Plug

## RECEPTACLE HOOK/BOX — POWER HOOK (For use with Loop, Cord and Power Hook Plug)

Provisions for 3/4-in. rigid pendant mounting with 3/4-in. Thru Feed Capability (Figure 2):

- **RHBTF** (Thru Feed) (Figure 1A):  
120V, 208V, 240V, 277V, 480V  
NOTE: Available as suitable for wet locations. Add "W" suffix to end of ordering number
- **RHBNTF** (Non-Thru Feed) (Figure 1B):  
120V, 208V, 240V, 277V, 480V

FIG. 1- TYPICAL POWER HOOK  
See Fig. 2 or Fig. 3 for details



Compatible Components

## LOOP, CORD AND POWER HOOK PLUG (For use with Receptacle Hook/Box)



Ordering numbers shown are UL Listed for load make/break.  
NOTE: Available as suitable for wet locations. Add "W" suffix to end of ordering number

- **LCP-RHB** (Figure 1C)  
120V, 208V, 240V, 277V, 480V unfused
- **LCPFH-F1** (Figure 1C)  
120V or 277V with single fuseholder (Less fuse)
- **LCPFH-F2** (Figure 1C)  
208V, 240V or 480V with double fuseholders (Less fuses)

Fig. 2-Thru Feed

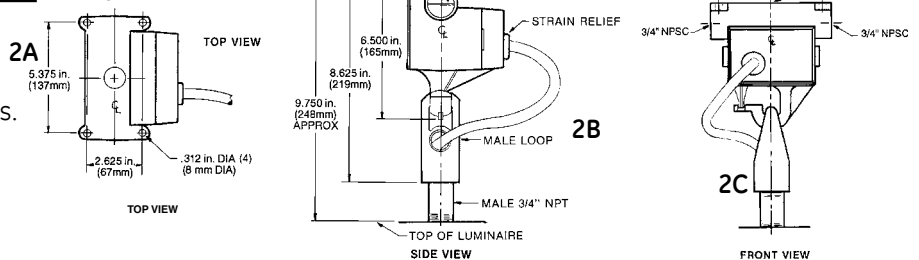
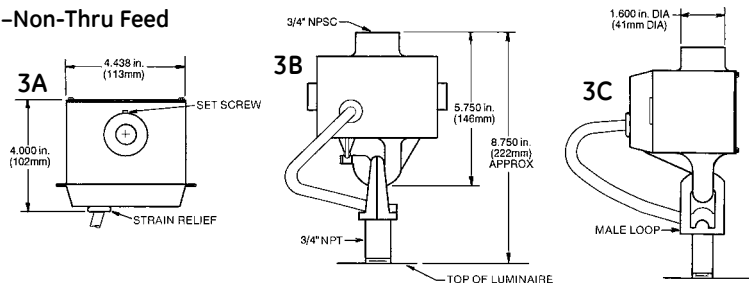


Fig. 3-Non-Thru Feed

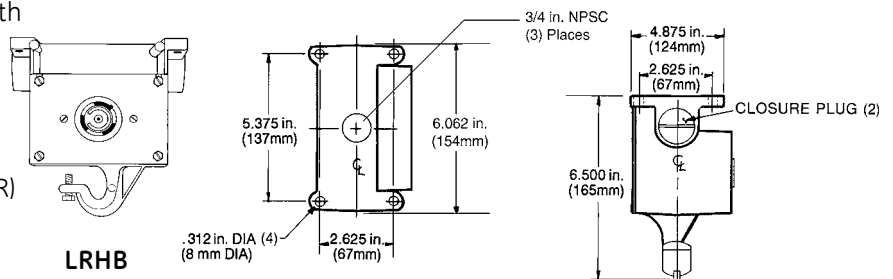


## LOCKING RECEPTACLE HOOK BOX (For use with Loop, Cord and Plug (see previous page))



Provisions for 3/4-in. rigid pendant mounting with 3/4-in. Thru Feed Capability

- **LRHB120**  
120V (Locking Receptacle NEMA L5-15R)
- **LRHB250**  
208V & 240V (Locking Receptacle NEMA L6-15R)
- **LRHB277**  
277V (Locking Receptacle NEMA L7-15R)
- **LRHB347**  
347V (Locking Receptacle P&S L3720-R)
- **LRHB480**  
480V (Locking Receptacle NEMA L8-20R)



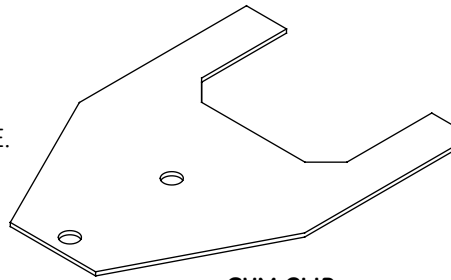
# ACCESSORIES

REFER TO ACCESSORY INDEX TO MATCH ACCESSORY WITH PRODUCT.  
ILLUSTRATIONS SHOWN ARE TYPICAL REPRESENTATIONS.

## HIGH BAY REFLECTOR RETENTION CLIP

- **CHB-GC**

Required on CHB reflector when using H2000-NE.  
NOTE: N/A with Prismatic Optical

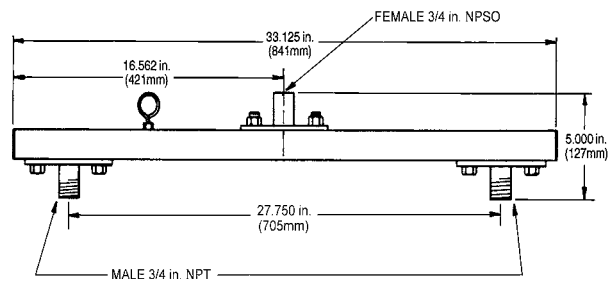


GYM CLIP

## TWIN MOUNTING ARM

- **TMA-HB**

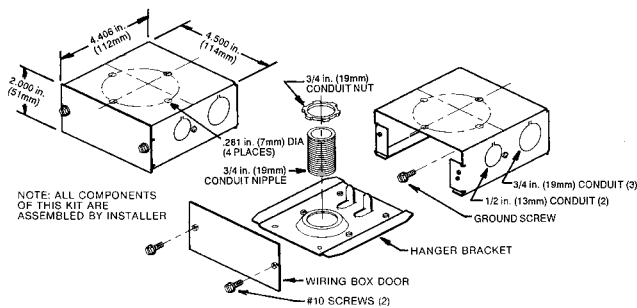
Use to tandem mount any two luminaires (must be of same weight if arm is suspended by hook or loop). Arm is painted steel with two male 3/4-in. pipe couplings for luminaire mounting and one female 3/4-in. NPT pipe coupling for hook, loop or direct circuit mounting. Arm has bottom snap-in closure strip for wiring ease. Eyebolt for field addition of safety chain(s) is provided.



## THRU-WIRE OUTLET BOX

- **TWOB-ACC**

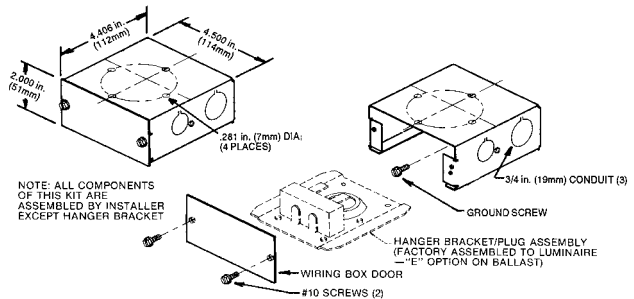
Surface mounted Thru-Wire outlet box



NOTE: ALL COMPONENTS OF THIS KIT ARE ASSEMBLED BY INSTALLER

- **TWOBP-IND**

Mountings for use with luminaires having Mounting Code 13 (provisions for slide-on primary disconnect)



NOTE: ALL COMPONENTS OF THIS KIT ARE ASSEMBLED BY INSTALLER EXCEPT HANGER BRACKET

## SAFETY CHAIN

- **SFC-O**

For optical component, single unit, 14-in. (356mm)

- **SFC3-B**

For ballast component, 3 ft (0.9 meters)

- **SFC5-B**

For ballast component, 5 ft (1.5 meters)

- **SFC7-B**

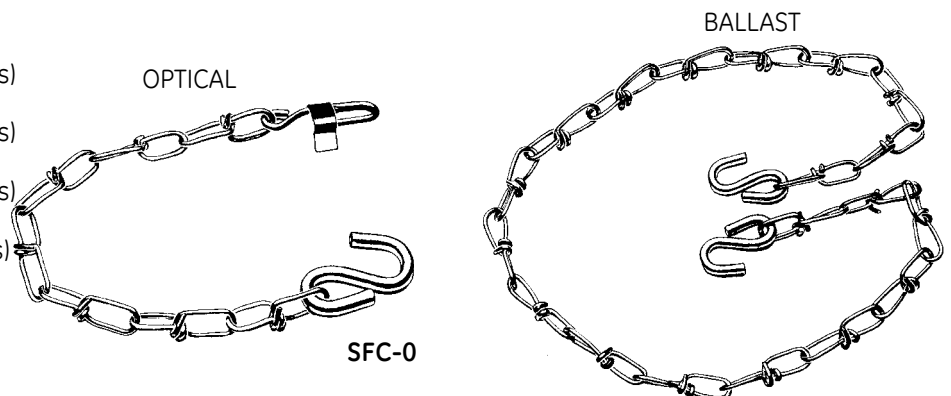
For ballast component, 7 ft (2.1 meters)

- **SFC10-B**

For ballast component, 10 ft (3 meters)

- **SFC3-B310**

For Jr. Versabeam, 3 ft (1 meter) (not shown)



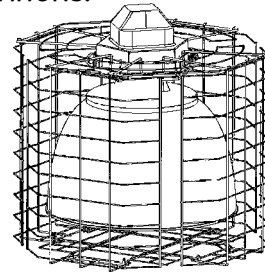


# ACCESSORIES

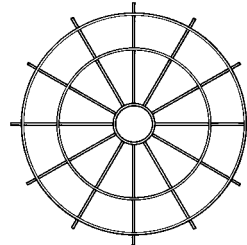
REFER TO ACCESSORY INDEX TO MATCH ACCESSORY WITH PRODUCT.  
ILLUSTRATIONS SHOWN ARE TYPICAL REPRESENTATIONS.

## WIRE GUARD

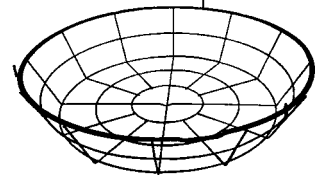
- **FWG-GEN5S**  
Full wire guard for optical up to 22 inches in diameter OG5, OB5
  - **FWG-GEN5L**  
Full wire guard for optical larger than 22" up 26 inches in diameter OB5, OB6, VB5, VS5, FP5
  - **H2000-NE**  
With relamp hole for Uniglow® 150 GH5, GW5, luminaires 16-inch (406mm) optical open or enclosed aluminum reflector. (NOTE: With GHB luminaires, 400 watt metal halide limited to reflector position 1.) Can be used with CHB if CHB-GC is used.
  - **WGLB-22**  
Wire guard without relamp hole, for low bay 22-in. (559mm) opticals
  - **WGLB-30**  
Wire guard without relamp hole, for low bay 30-in. (672mm) opticals
  - **WGNH-17E**  
No relamp hole, for 17-in. (432mm) enclosed optical component
  - **WGNH-17V**  
No relamp hole, for 17-in. (432mm) open optical component
  - **WGNH-22E**  
No relamp hole, for 22-in. (559mm) enclosed optical component (Not for Prismatic opticals)
  - **WGNH-22V**  
No relamp hole, for 22-in. (559mm) open optical component (Not for Prismatic opticals)
  - **WGNH-MMN**  
For Minimount® luminaire
  - **WGRH-17V**  
With relamp hole, for 17-in. (432mm) open optical component
  - **WGRH-22V**  
With relamp hole, for 22-in. (559mm) open optical component (Not for Prismatic opticals)
  - **WGRH-OMG14**  
With relamp hole, for 14-in. (356mm) open or enclosed optical component
  - **WGRH-OMG18**  
With relamp hole, for 18-in. (457mm) open or enclosed optical component
  - **WGRH-OMB26**  
With relamp hole, for 26-in. (660mm) open component
- NOTE: FLEXIBLE Luminaire Mounting recommended



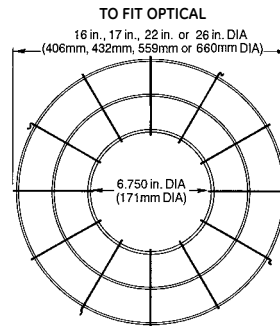
FWG-GEN5S / FWG-GEN5L



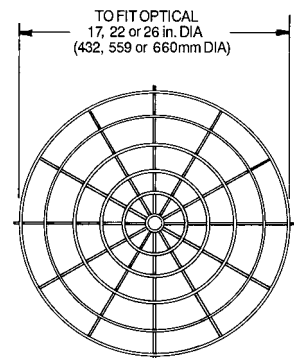
WGNH-MMN



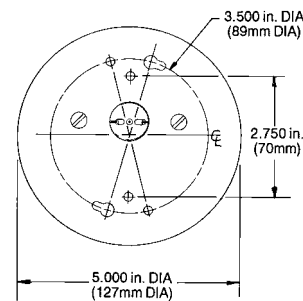
WGLB-22/30



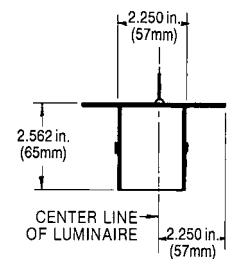
WGRH - With relamp hole



WGNH - Without relamp hole

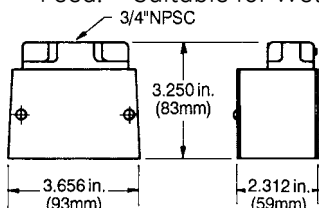


MPM-C

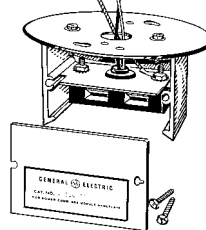


## MULTI-PURPOSE MOUNTINGS

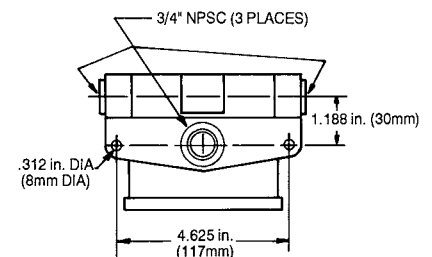
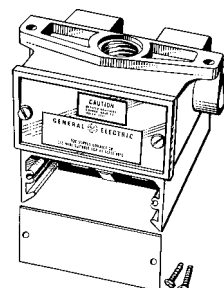
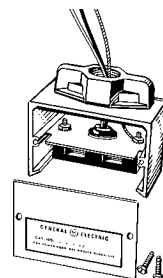
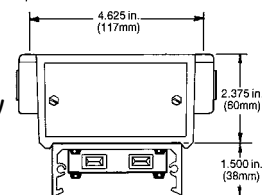
- **MPM-C**  
Ceiling (or surface)
- **MPM-3PR**  
3/4-in. Pendant, (Rigid) Mounting-3/4-in. NPSC with wiring compartment
- **MPM-3PRW**  
3/4-in. Pendant, (Rigid) Mounting-3/4-in. NPSC with wiring compartment. Enclosed luminaires suitable for wet locations application when used with this hanging hardware.
- **MPM-3PRTFW**  
3/4-in. Pendant, (Rigid) Mounting-3/4-in. NPSC with wiring compartment and Thru Feed. Suitable for Wet Locations.



MPM-3PR  
MPM-3PRW



MPM-3PRTFW



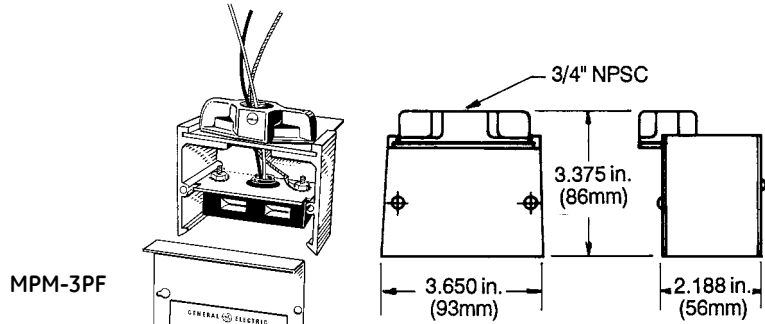
# ACCESSORIES

REFER TO ACCESSORY INDEX TO MATCH ACCESSORY WITH PRODUCT.  
ILLUSTRATIONS SHOWN ARE TYPICAL REPRESENTATIONS.

## MULTI-PURPOSE MOUNTINGS

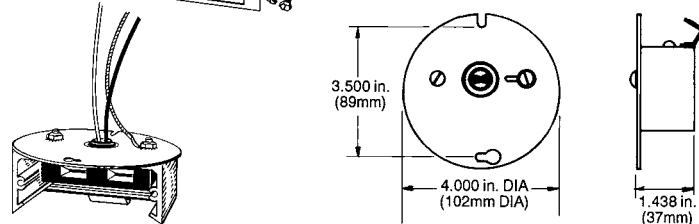
- **MPM-3PF**

3/4-in. Pendant, (Flexible) Mounting-Pendant hanging hardware for 3/4-in. NPSC with wiring compartment



- **MPM-OBC**

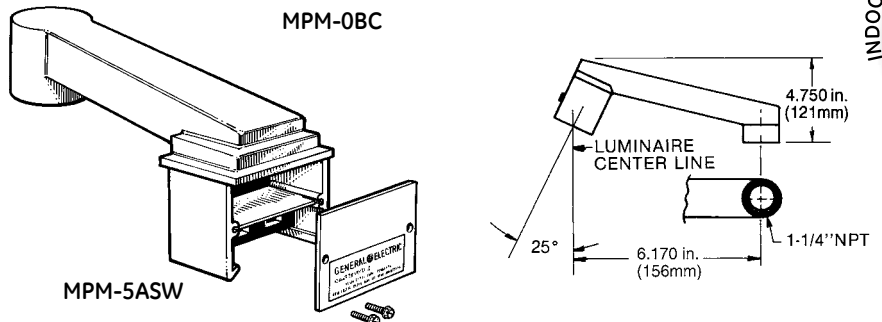
Outlet Box Cover-for 4-in. (102mm) octagonal junction box



MPM-OBC

- **MPM-5ASW**

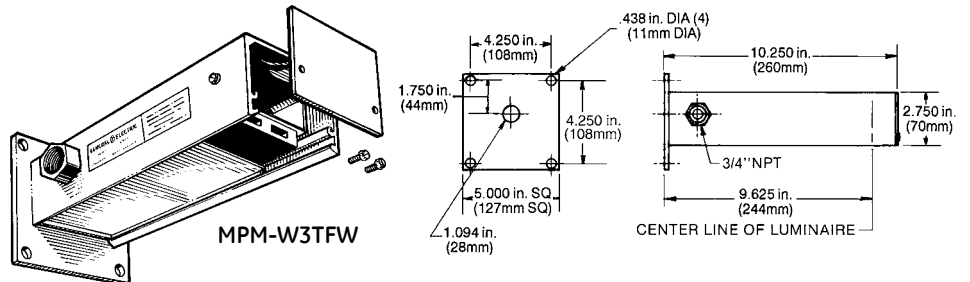
Angled Stanchion Mount-enclosed luminaire suitable for wet location applications when used with this bracket. Gray.



MPM-5ASW

- **MPM-W3TFW**

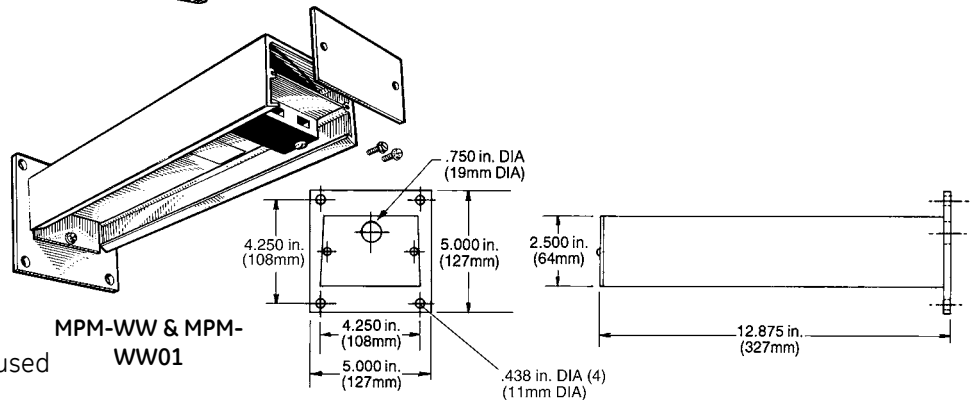
Wall Bracket with Thru-Feed-enclosed luminaire suitable for wet locations when used with this bracket.



MPM-W3TFW

- **MPM-WW**

Wall Bracket-enclosed luminaire suitable for wet locations when used with this bracket.



MPM-WW & MPM-WW01

- **MPM-WW01**

Wall Bracket-enclosed luminaire suitable for wet locations when used with this bracket. Dark Bronze

INDOOR LIGHTING



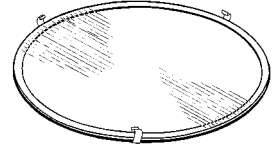


# ACCESSORIES

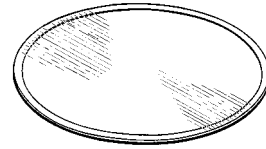
REFER TO ACCESSORY INDEX TO MATCH ACCESSORY WITH PRODUCT.  
ILLUSTRATIONS SHOWN ARE TYPICAL REPRESENTATIONS.

## DOOR ASSEMBLIES

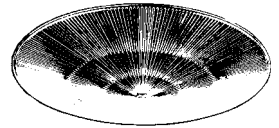
- **DGD4-GHBP**  
Clear tempered door glass assembly for 14-in. (336mm) GHBP glass reflector.
- **EAL2-GHBP**  
Clear Acrylic Lens for 22-in. (559mm) optical (40°C max. ambient on 400 watt fixtures)
- **EAL6-GHBP**  
Clear Acrylic Lens for 16-in (406mm) optical (40°C max. ambient on 250 watt fixtures)
- **EAPL2-GHBP**  
Clear Acrylic Prismatic Conical Lens for 22-in (559mm) optical (40°C max. ambient on 400 watt fixtures)
- **EAPL6-GHBP**  
Clear Acrylic Prismatic Conical Lens for 16-in (406mm) optical (40°C max. ambient on 250 watt fixtures)
- **EARL6-GHBP**  
Clear prismatic drop lens for 16-inch optical (40°C maximum ambient on 250W fixtures)



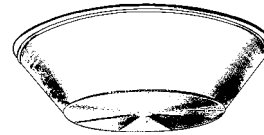
DGD4-GHBP



E\*L2-GHBP  
E\*L6-GHBP



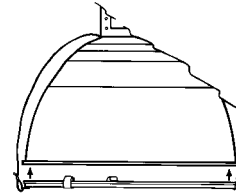
E\*PL2-GHBP  
E\*PL6-GHBP



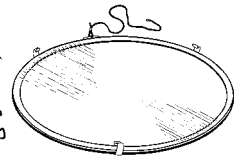
E\*RL6-GHBP

## DOOR GLASS (Clear Tempered Glass Lens)

- **DGA6-GHBB**  
(See page I-64 for GHBB Door Glass Limitations)

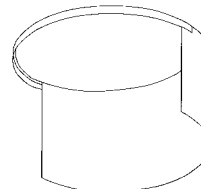


DGA6-GHBB



## EXTERNAL LIGHT SHIELD

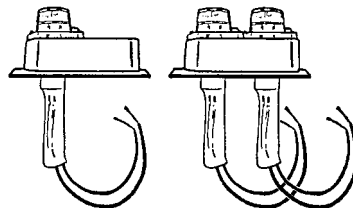
- **ELS-GGD**  
For use with Garage•Gard luminaire



ELS-GGD

## FUSE KITS

- **FK1-IND**  
Single fuse holder
- **FK2-IND**  
Double fuse holders



FK1-IND

FK2-IND

INDOOR LIGHTING

# ACCESSORIES

REFER TO ACCESSORY INDEX TO MATCH ACCESSORY WITH PRODUCT.  
ILLUSTRATIONS SHOWN ARE TYPICAL REPRESENTATIONS.

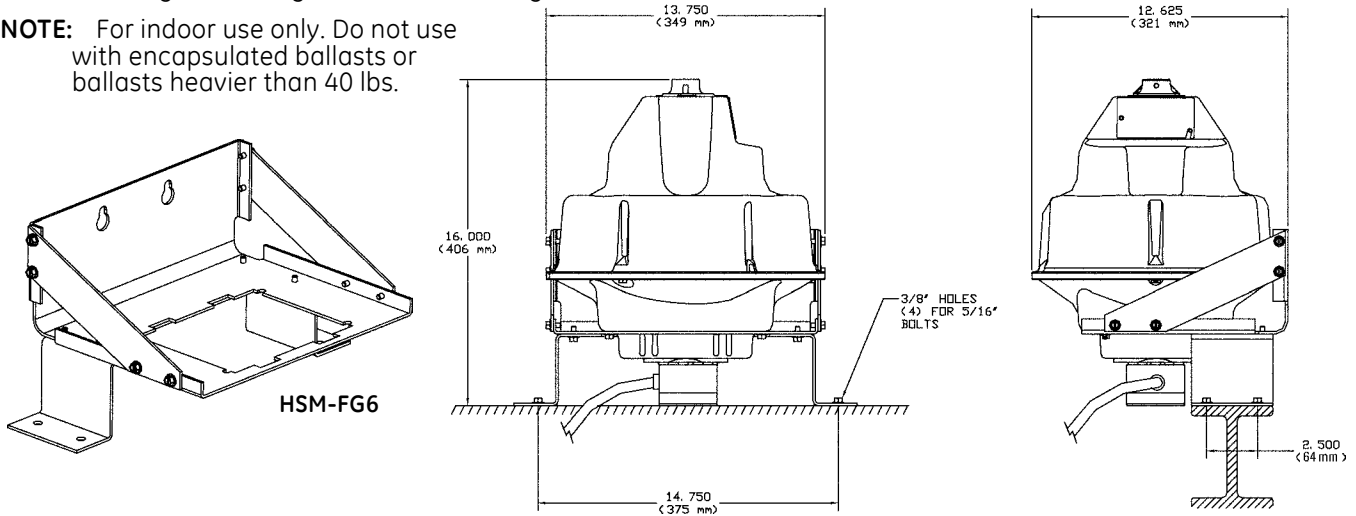
## REMOTE BALLAST MOUNTING

### HORIZONTAL SURFACE MOUNTING BRACKET

- **HSM-FG6**

For mounting FG6 Filterglow® ballast housing

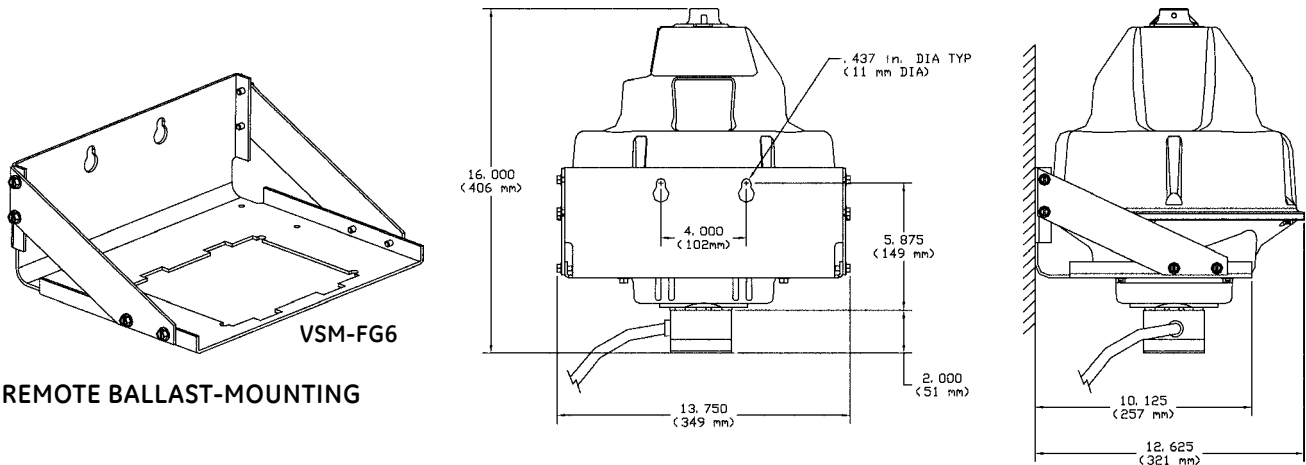
**NOTE:** For indoor use only. Do not use with encapsulated ballasts or ballasts heavier than 40 lbs.



### VERTICAL SURFACE MOUNTING BRACKET

- **VSM-FG6**

For mounting FG6 Filterglow® ballast housing



REMOTE BALLAST-MOUNTING

### MALE CONNECTOR

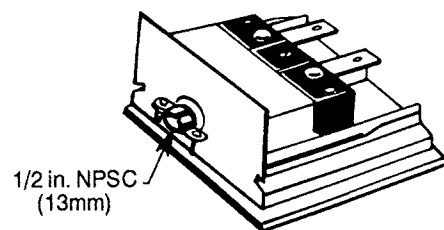
Can be obtained as separate accessory or as part of Single Remote Power Connector. Mates with receptacle on bottom of ballast housing.  
**NOTE:** HPS lamps require an ignitor within ten feet of lamps.

- **MCS-FGB**

For Filterglow®/Duraglow® luminaire ballast, single circuit

- **MCD-FGB**

For Filterglow®/Duraglow® luminaire ballast, dual circuit (for Automatically Switched Quartz)



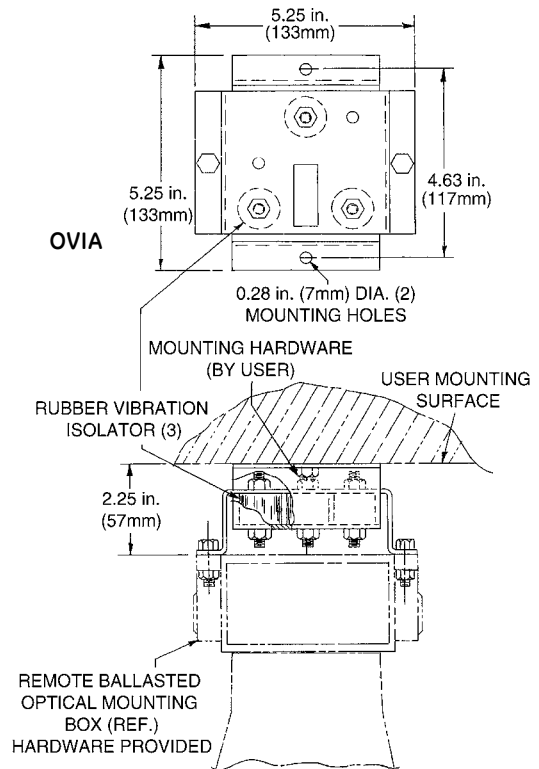
# ACCESSORIES

REFER TO ACCESSORY INDEX TO MATCH ACCESSORY WITH PRODUCT.  
ILLUSTRATIONS SHOWN ARE TYPICAL REPRESENTATIONS.

## OPTICAL VIBRATION ISOLATION ASSEMBLY

### • OVIA

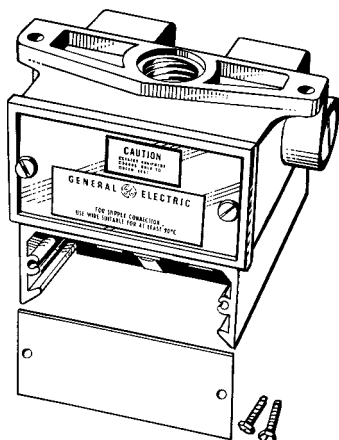
Use with Remote Ballasted Optical Mounting Box or Single Remote Power Connector.  
(Recommended for use with RBOMB-FDG or SRPCX-FDG only.)



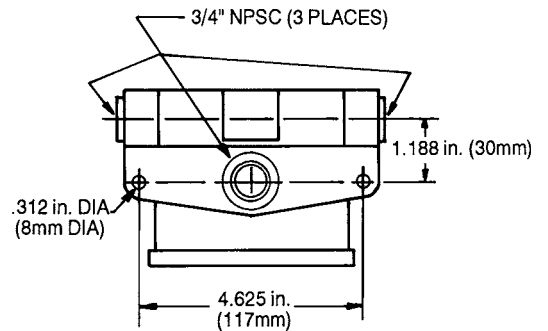
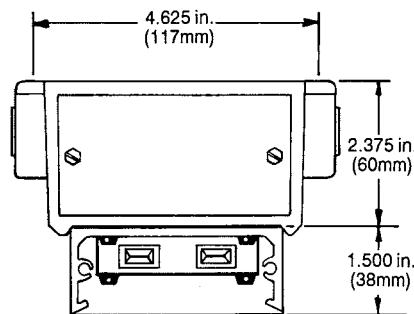
## PRIMARY ELECTRICAL DISCONNECT BOX

### • PEDBGR-FDG

Mounting for use with luminaires having Mounting Code 14 or "N" option (Provisions for slide-on Primary Disconnect)



PEDBGR-FDG





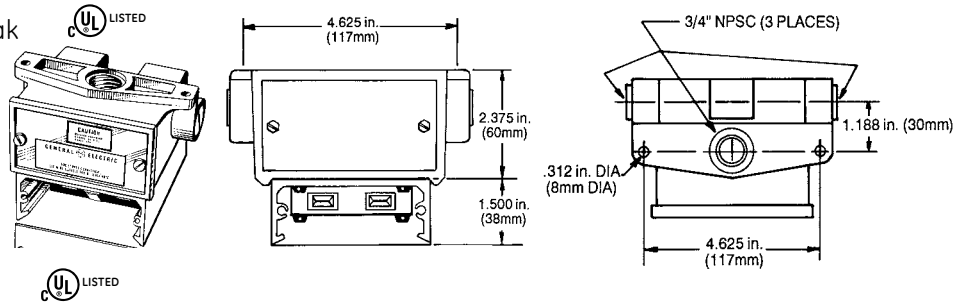
INDOOR LIGHTING

# ACCESSORIES

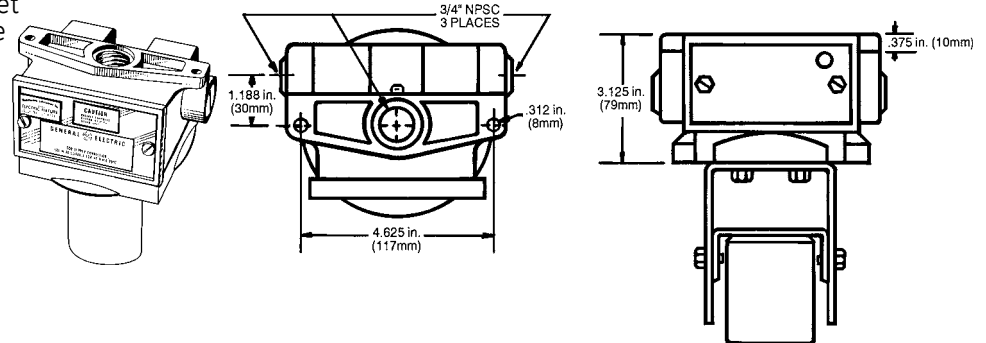
REFER TO ACCESSORY INDEX TO MATCH ACCESSORY WITH PRODUCT.  
ILLUSTRATIONS SHOWN ARE TYPICAL REPRESENTATIONS.

## REMOTE BALLASTED OPTICAL MOUNTING BOX

- RBOMB-FDG**  for load make/break  
 For mounting sliding disconnect  
 opticals — reference page I-3 (can  
 be obtained as separate accessory  
 or as part of Single Remote Power  
 Connector)
- RBOMB-FDGQ**  
 Same as **RBOMB-FDG** except for  
 quartz socket  for load  
 make/break



- RBOMBA-UGUM**  
 For mounting Direct Mount Opticals  
 — reference page I-3. Set in Socket  
 Position "A". No connecting cable  
 included.
- RBOMBA-UGUMQ**  
 Same as **RBOMBA-UGUM** except  
 with quartz socket
- RBOMBF-UGUM**  
 Set in Socket Position "F".  
 No connecting cable included
- RBOMBF-UGUMQ**  
 Same as **RBOMBF-UGUM** except  
 with quartz socket



**NOTE:** For field adjustment of socket position for a specific lamp type and wattage, refer to product's Ballast and Photometric Selection Table.

INDOOR LIGHTING

# ACCESSORIES

REFER TO ACCESSORY INDEX TO MATCH ACCESSORY WITH PRODUCT.  
ILLUSTRATIONS SHOWN ARE TYPICAL REPRESENTATIONS.

## SINGLE REMOTE POWER CONNECTOR

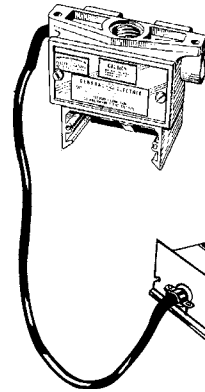
Provides electrical connections between ballast and optical when they are mounted separately.

NOTE: For dual plug Connector for use with automatically switched quartz, change "S" to "D"

NOTE: Connectors are available which are suitable for wet locations. Add "W" suffix to end of accessory ordering numbers. (FDG only)



- **SRPC3-FDG** • **SRPC5-FDG** • **SRPC7-FDG** • **SRPC10-FDG**  
3 ft cable (0.9 meters)    5 ft cable (1.5 meters)    7 ft cable (2.1 meters)    10 ft cable (3 meters)



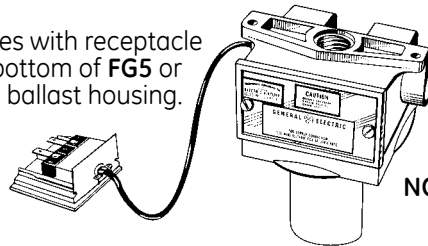
Mates with Filterglow®, Duraglow®, Versabeam™ (VS5), Lowmount® II and Omniglow™ luminaire opticals.

Mates with receptacle on bottom of FG5 or FG6 ballast housing.

- **SRPC3A-UG**                      • **SRPC3F-UG**  
3 ft (0.9 meters) cable,    3 ft (0.9 meters) cable,  
A socket position                      F socket position
- **SRPC5A-UG**                      • **SRPC5F-UG**  
5 ft (1.5 meters) cable,    5 ft (1.5 meters) cable,  
A socket position                      F socket position
- **SRPC7A-UG**                      • **SRPC7F-UG**  
7 ft (2.1 meters) cable,    7 ft (2.1 meters) cable,  
A socket position                      F socket position
- **SRPC10A-UG**                      • **SRPC10F-UG**  
10 ft (3 meters) cable,    10 ft (3 meters) cable,  
A socket position                      F socket position

Mates with Versabeam™ (VB5), Unimount® 400, Unimount 150, Uniglow® 400/1000, Uniglow 150 and GLB™ luminaire opticals.

Mates with receptacle on bottom of FG5 or FG6 ballast housing.



**NOTE:** For field adjustment of socket position for a specific lamp type and wattage, refer to product's Ballast and Photometric Selection Table.

INDOOR LIGHTING