



Evolve®

LED Roadway Lighting  
Security Light (E2SC)



current  
powered by GE

Evolve®

# LED Roadway Lighting

## Security Light (E2SC)



Project name \_\_\_\_\_  
Date \_\_\_\_\_  
Type \_\_\_\_\_

The **Evolve®** LED Security Light provides energy efficiency in a rugged, easy to install, light weight fixture. GE's advanced optical design offers Type III/IV^ and Type V photometry with the versatility of a field installable refractor option to meet your lighting requirements. GE Roadway Lighting systems have been recognized for high quality and reliability in Outdoor, Utility, DOT and infrastructure lighting applications. The E2SC is designed for outdoor work yards, roadside commercial establishments, suburban developments and rural area.

## Typical Specifications: E2SC

### LED & Optical

- **Output Range:** 3,730 - 6,270 lm
- **Photometric Options:** Type III/IV^, Type V
- **System Efficacy:** 100-128
- **CCT:** 2700K, 3000K, 4000K, 5000K  
LED's @ 70 CRI Minimum

### Lumen Maintenance Tables

Projected Lxx per IES TM-21 at 25°C for reference:

E2SC LUMEN OUTPUT CODES	DISTRIBUTIONS	LXX (10K) @ HOURS		
		25,000 HR	50,000 HR	60,000 HR
04	C4	L95	L93	L92
05	C4	L93	L88	L86
06	C4	L83	L70	L65

E2SC LUMEN OUTPUT CODES	DISTRIBUTIONS	LXX (10K) @ HOURS		
		25,000 HR	50,000 HR	60,000 HR
04	V4	L95	L92	L90
05	V4	L94	L90	L89
06	V4	L91	L85	L83

Note: Projected Lxx based on LM80 (10,000 hour testing). Accepted industry tolerances apply to initial luminous flux and lumen maintenance measurements.

### Electrical

- **Input Voltage:** 120-277 volt. (347-480V not available)
- **Input Frequency:** 50/60Hz
- **Power Factor (PF)\*:** ≥90%
- **Total Harmonic Distortion (THD)\*:** ≤20%

\*System PF and THD specified at rated watts

### Ratings

- **Surge Protection:** Per ANSI C136.2-2015
  - 6kV/3kA "Basic: (120 Strikes)" - Standard
  - 10kV/5kA "Enhanced: (40 Strikes)" - Optional
- **Safety:** (UL) / (UL) UL/cUL Listed. UL 1598 listed, suitable for wet locations.
- **Environmental:** Compliant with the material restrictions of RoHS.
- **EMI:** Title 47 CFR Part 15 Class A
- **Vibration:** 3G per ANSI C136.31-2010
- **LM-79:** Testing in accordance with IESNA Standards
- **Ingress Rating:** IP66 optical enclosure per ANSI C136.25-2013

### Operating Temperature:

PRODUCT ID	LUMEN OUTPUT	AMBIENT READING
E2SC	04-06	-40°C to 40°C

### Construction & Finish

- **Housing:**
  - Aluminum die cast enclosure
  - Not recommended for installations near coastal salt spray (within 750 feet of the coast)
  - Casting-Integral heat sink for maximum heat transfer
- **Lensing:**
  - Non Refractor Version: Impact resistant tempered glass
  - Refractor Version: Acrylic Lens
- **Weight:** 8.5 Lbs

### Warranty

- **System Warranty:** 5 Year Standard, 10 Year Optional

### Controls

- **Dimming:**
  - Standard: 0-10V
- **Sensors:**
  - Photo electric sensors (PE) available
  - LightGrid compatible

### Mounting

- Adjustable for 1.25 to 2 in. nominal mounting pipe
- Integral diecast mounting pipe stop
- Slipfitter with +/- 5 degrees of leveling adjustment

^ See Page 4 for the typical ISO Plot of the C4 distribution. This optic is designed to address a Roadway Photometric Application and is Type III without the refractor, and Type IV with a refractor.

Evolve®

# LED Roadway Lighting

## Security Light (E2SC)



Project name \_\_\_\_\_  
 Date \_\_\_\_\_  
 Type \_\_\_\_\_

**E 2 S C 0**

PROD. ID	VOLTAGE	LUMEN OUTPUT	DISTRIBUTION*	REFRACTOR	CCT	CONTROLS ANSI C136.41 7 PIN	MOUNTING	POWER LEADS	OPTIONS
E2SC = Evolve Security Light	0 = 120-277V	04 05 06	C4 = Type III/IV^ V4 = Type V	N = None (Zero Uplight) R = Factory Installed Refractor	27 = 2700K 30 = 3000K 40 = 4000K 50 = 5000K	A = PE Receptacle D = PE Receptacle with Shorting Cap E = PE Receptacle with non-Dimming PE in Box	N = None L = Long 24 in. Bracket (for wood pole mounting)	N = None 3 = 3ft #14 Leads 5 = 5ft #14 Leads 8 = 8ft #14 Leads	C1 = Captive Door L = Tool-Less Entry R = Enhanced Surge Protection (10kV/5kA) XXX = Special Options

^ See Page 4 for the typical ISO Plot of the C4 distribution. This optic is designed to address a Roadway Photometric Application and is Type III without the refractor, and Type IV with a refractor.

LUMEN OUTPUT	DIST.	REFR.	TYPICAL INITIAL LUMENS			TYPICAL SYSTEM WATTAGE	BUG RATING			IES FILE NUMBER			
			4000K/5000K	3000K	2700K		4000K/5000K	3000K	2700K	5000K	4000K	3000K	2700K
04	C4	N	4000	3920	3810	32	B1-U0-G2	B1-U0-G2	B1-U0-G2	E2SC_04C4N50_120-277VIES	E2SC_04C4N40_120-277VIES	E2SC_04C4N30_120-277VIES	E2SC_04C4N27_120-277VIES
	V4	N	4030	3940	3840		B2-U0-G0	B2-U0-G0	B2-U0-G0	E2SC_04V4N50_120-277VIES	E2SC_04V4N40_120-277VIES	E2SC_04V4N30_120-277VIES	E2SC_04V4N27_120-277VIES
	C4	R	3920	3840	3730		B1-U3-G2	B1-U2-G2	B1-U2-G2	E2SC_04C4R50_120-277VIES	E2SC_04C4R40_120-277VIES	E2SC_04C4R30_120-277VIES	E2SC_04C4R27_120-277VIES
	V4	R	4090	4000	3900		B2-U2-G1	B2-U2-G1	B2-U2-G1	E2SC_04V4R50_120-277VIES	E2SC_04V4R40_120-277VIES	E2SC_04V4R30_120-277VIES	E2SC_04V4R27_120-277VIES
05	C4	N	5000	4900	4760	43	B1-U0-G2	B1-U0-G2	B1-U0-G2	E2SC_05C4N50_120-277VIES	E2SC_05C4N40_120-277VIES	E2SC_05C4N30_120-277VIES	E2SC_05C4N27_120-277VIES
	V4	N	5200	5090	4950		B2-U0-G1	B2-U0-G1	B2-U0-G1	E2SC_05V4N50_120-277VIES	E2SC_05V4N40_120-277VIES	E2SC_05V4N30_120-277VIES	E2SC_05V4N27_120-277VIES
	C4	R	4900	4800	4660		B1-U3-G3	B1-U3-G3	B1-U3-G2	E2SC_05C4R50_120-277VIES	E2SC_05C4R40_120-277VIES	E2SC_05C4R30_120-277VIES	E2SC_05C4R27_120-277VIES
	V4	R	5280	5170	5020		B2-U2-G1	B2-U2-G1	B2-U2-G1	E2SC_05V4R50_120-277VIES	E2SC_05V4R40_120-277VIES	E2SC_05V4R30_120-277VIES	E2SC_05V4R27_120-277VIES
06	C4	N	5885	5770	5610	55	B1-U0-G2	B1-U0-G2	B1-U0-G2	E2SC_06C4N50_120-277VIES	E2SC_06C4N40_120-277VIES	E2SC_06C4N30_120-277VIES	E2SC_06C4N27_120-277VIES
	V4	N	6180	6060	5890		B2-U0-G1	B2-U0-G1	B2-U0-G1	E2SC_06V4N50_120-277VIES	E2SC_06V4N40_120-277VIES	E2SC_06V4N30_120-277VIES	E2SC_06V4N27_120-277VIES
	C4	R	5760	5650	5490		B1-U3-G3	B1-U3-G3	B1-U3-G3	E2SC_06C4R50_120-277VIES	E2SC_06C4R40_120-277VIES	E2SC_06C4R30_120-277VIES	E2SC_06C4R27_120-277VIES
	V4	R	6270	6150	5980		B2-U3-G1	B2-U3-G1	B2-U3-G1	E2SC_06V4R50_120-277VIES	E2SC_06V4R40_120-277VIES	E2SC_06V4R30_120-277VIES	E2SC_06V4R27_120-277VIES

Grayed configurations not DLC listed - Please refer to the DLC QPL website for the latest and most complete information ([www.designlights.org/QPL](http://www.designlights.org/QPL))

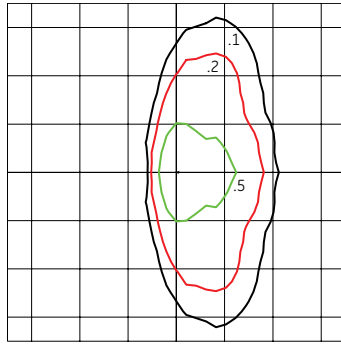
# Photometrics:

## Evolve® LED Security Light (E2SC)

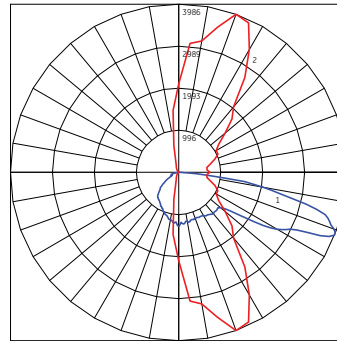
### E2SC

Type III - No Refractor  
(05C4N40)

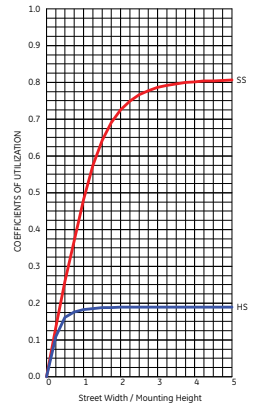
5,000 Lumens  
4000K  
E2SC\_05C4N40\_\_IES



Grid Distance in Units of Mounting Height at 30'  
Initial Footcandle Values at Grade



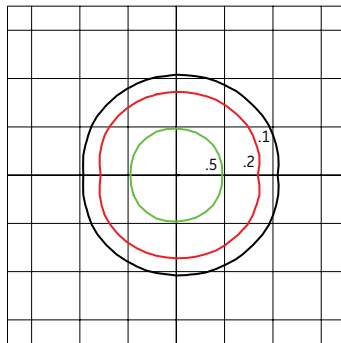
— Vertical plane through horizontal angle of Max. Cd at 70°  
— Horizontal cone through vertical angle of Max. Cd at 68°



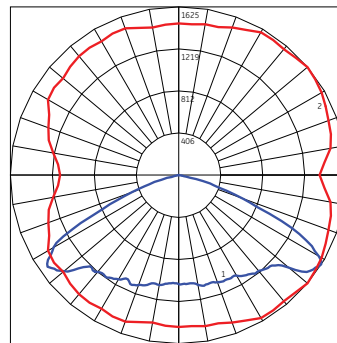
### E2SC

Type V - No Refractor  
(05V4N40)

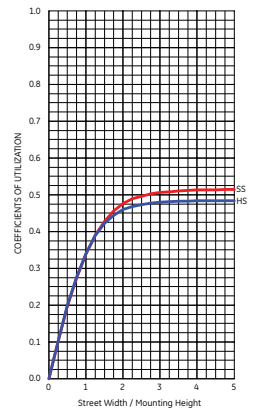
5,200 Lumens  
4000K  
E2SC\_05V4N40\_\_IES



Grid Distance in Units of Mounting Height at 30'  
Initial Footcandle Values at Grade



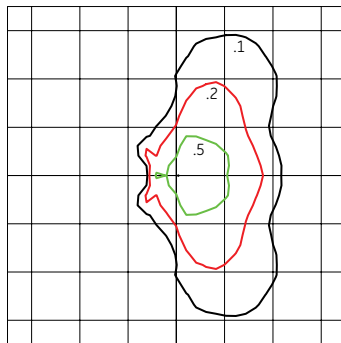
— Vertical plane through horizontal angle of Max. Cd at 58°  
— Horizontal cone through vertical angle of Max. Cd at 40°



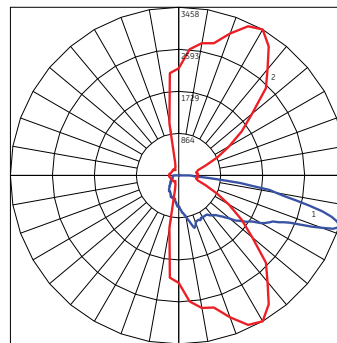
### E2SC

Type IV - W/Refractor  
(05C4R40)

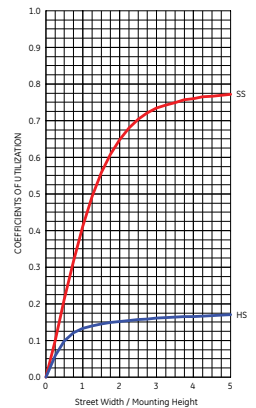
4,900 Lumens  
4000K  
E2SC\_05C4R40\_\_IES



Grid Distance in Units of Mounting Height at 30'  
Initial Footcandle Values at Grade



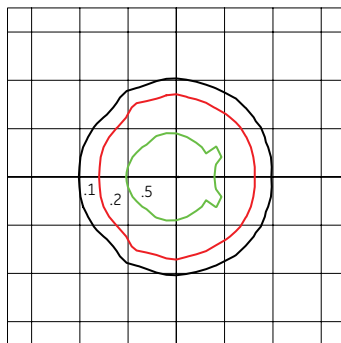
— Vertical plane through horizontal angle of Max. Cd at 73°  
— Horizontal cone through vertical angle of Max. Cd at 60°



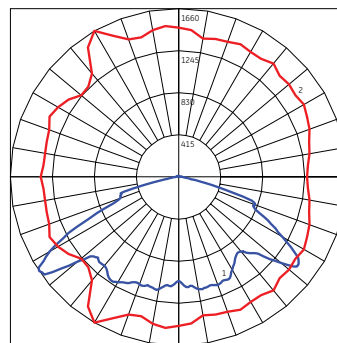
### E2SC

Type V - W/Refractor  
(05V4R40)

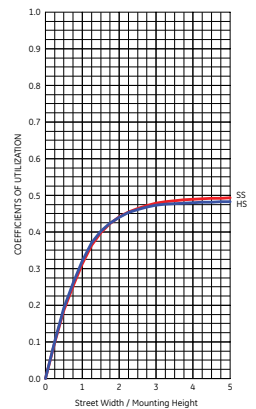
5,280 Lumens  
4000K  
E2SC\_05V4R40\_\_IES



Grid Distance in Units of Mounting Height at 30'  
Initial Footcandle Values at Grade

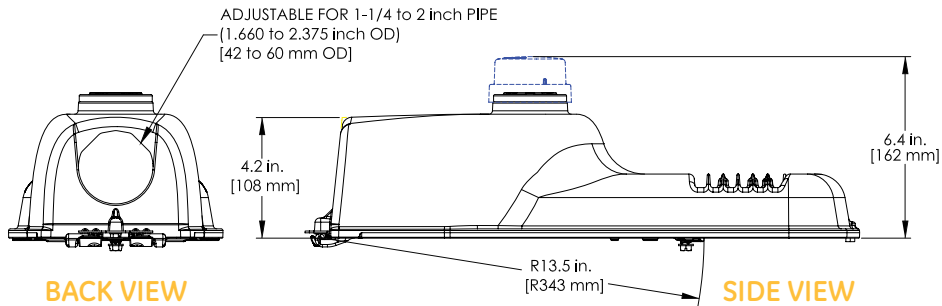
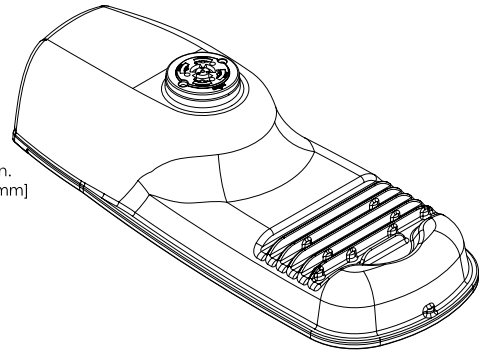
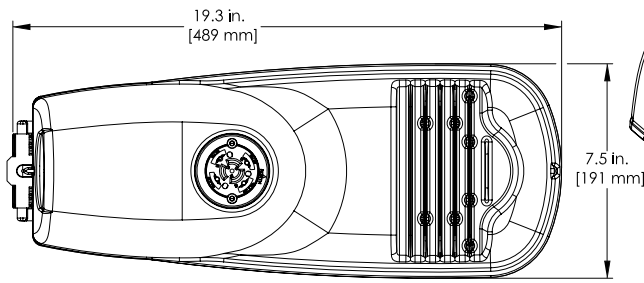


— Vertical plane through horizontal angle of Max. Cd at 56°  
— Horizontal cone through vertical angle of Max. Cd at 120°



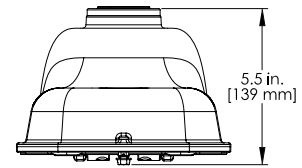
# Product Dimensions:

## Evolve® LED Security Light (E2SC)

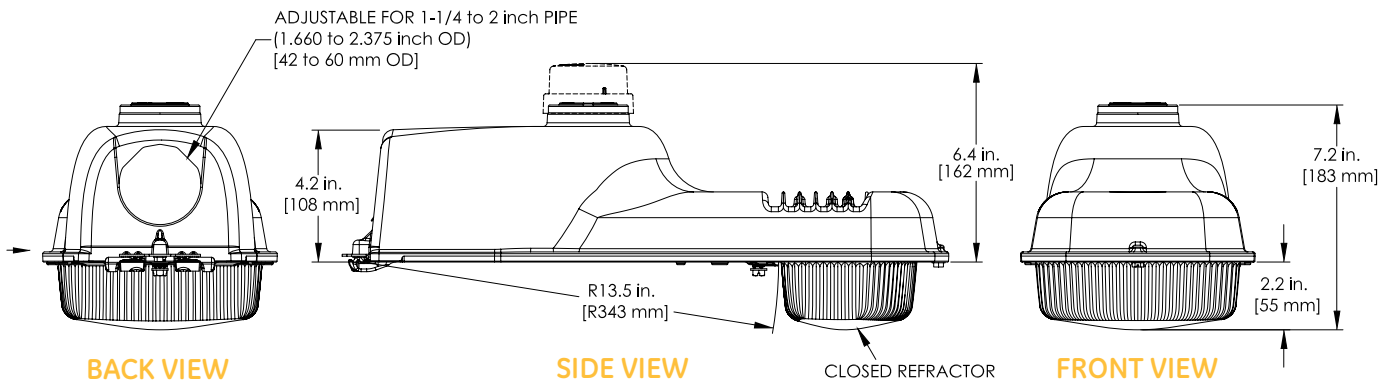
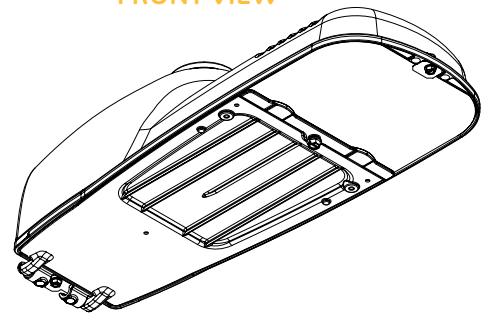
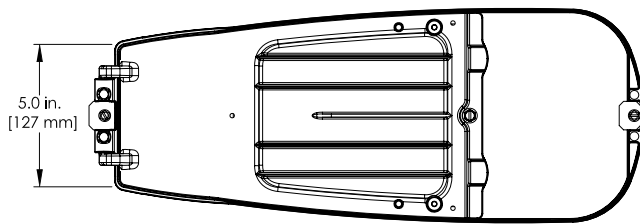


BACK VIEW

SIDE VIEW



FRONT VIEW



BACK VIEW

SIDE VIEW

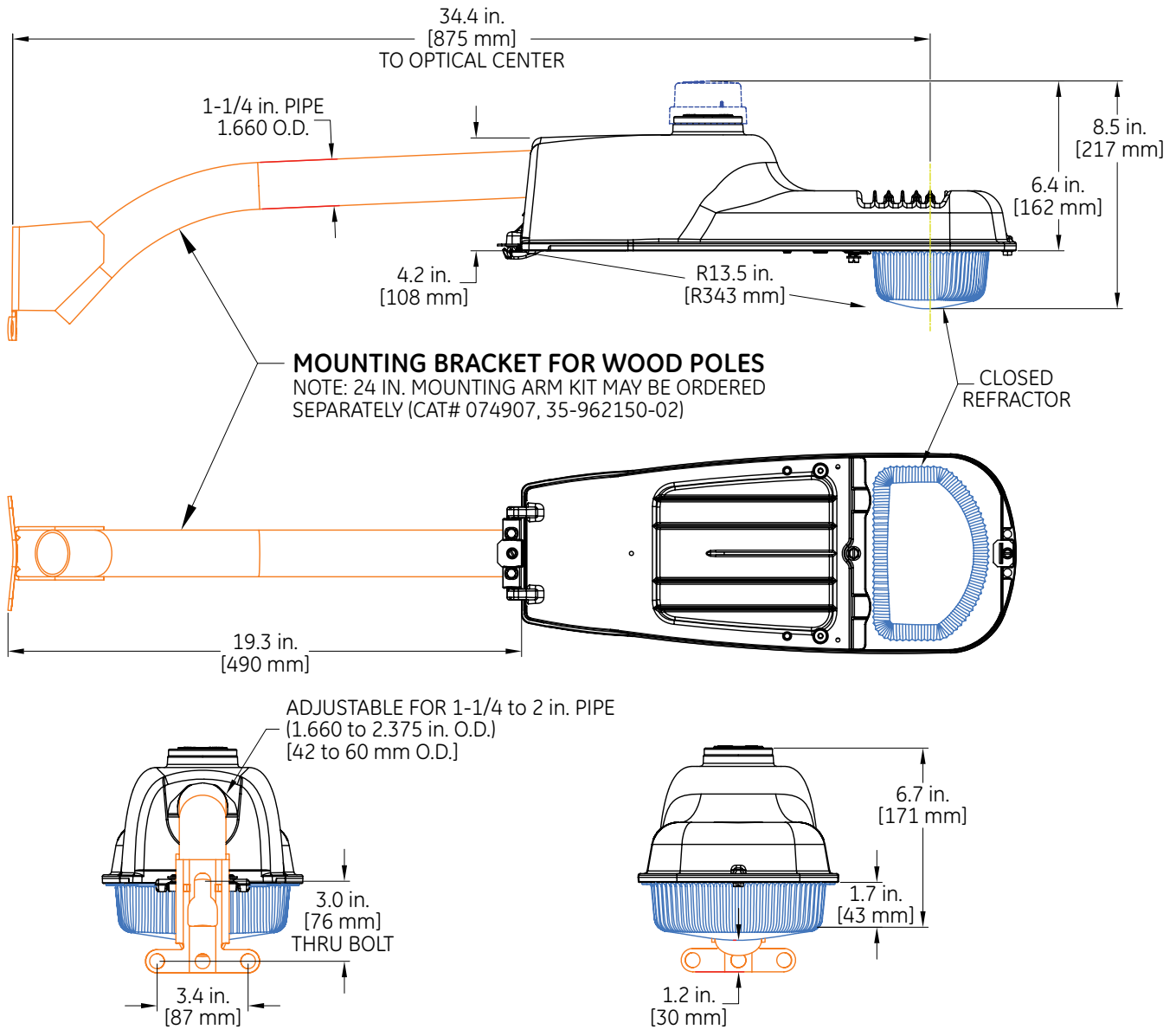
CLOSED REFRACTOR

FRONT VIEW

### DATA

- Approximate net weight: 8.5 lbs (3.8 kgs) without mounting bracket. Long 24 in. (610 mm) Mounting Bracket: 16 lbs (7.3 kgs).
- Effective Projected Area (EPA): 0.38 sq ft.
- Suggested Mounting Height: 12-28 ft. (4-8 M)

# Mounting Bracket for Wood Poles: Evolve® LED Security Light (E2SC)



**DATA**

- 24 in. Mounting arm Kit may be ordered separately (CAT# 074907, 35-962150-02)



GE and the GE Monogram are trademarks of the General Electric Company and are used under license. Information provided is subject to change without notice. All values are design or typical values when measured under laboratory conditions, and GE makes no warranty or guarantee, express or implied, that such performance will be obtained under end-use conditions. © 2019 Current, powered by GE.