



LED signage lighting systems

**Visibly better**

---

**Tetra<sup>®</sup> PowerMAX**

**GE current**  
a Daintree company

# With powerful **OptiLens™ X** and groundbreaking energy efficiency

**Tetra® PowerMAX** —the 24V remarkable LED system designed for channel letters as shallow as 4 inches in depth, as well as cabinet signs, delivers incredibly uniform light, installs easily and operates efficiently. **Tetra® PowerMAX** is now IP66 and UL wet rated which makes it more robust and reliable than ever, even under wet weather.

## Powerful OptiLens™ X

**Tetra® PowerMAX** features OptiLens™ X, our patented technology that allows for an incredible 170° viewing angle. This exclusive technology redirects otherwise wasted light to the sign face, making sure your signs shine.

## Power Supply Loading

The new 24V **Tetra® PowerMAX** loading improves 128% from the previous 12V generation. Now load up to 64 feet (19.5 m) or 96 modules of product per GEPS24-100U-GLX power supply.

## Improved stroke spacing

The new 24V **Tetra® PowerMAX** stroke spacing has improved on average by 35% (Depth/Stroke Spacing 4"/14", 5"/17", 6"/22"), requiring less product, thanks to the OptiLens™ X wide beam angle.



## Tetra® PowerMAX Features

- Wide 170° beam angle
- Improved luminous intensity
- Efficacy: 158 lm/W
- 24 Volt DC, Class 2 (UL), Class III (IEC)
- UL Wet Rated & IP66
- 5-year limited warranty

Tetra® PowerMAX		
	Can Depth	Coverage
Medium	4-5" (102-127mm)	14" (355.6mm)
	5-6" (127-152mm)	17" (431.8mm)
Large	≥ 6" (152mm)	22" (558.8mm)

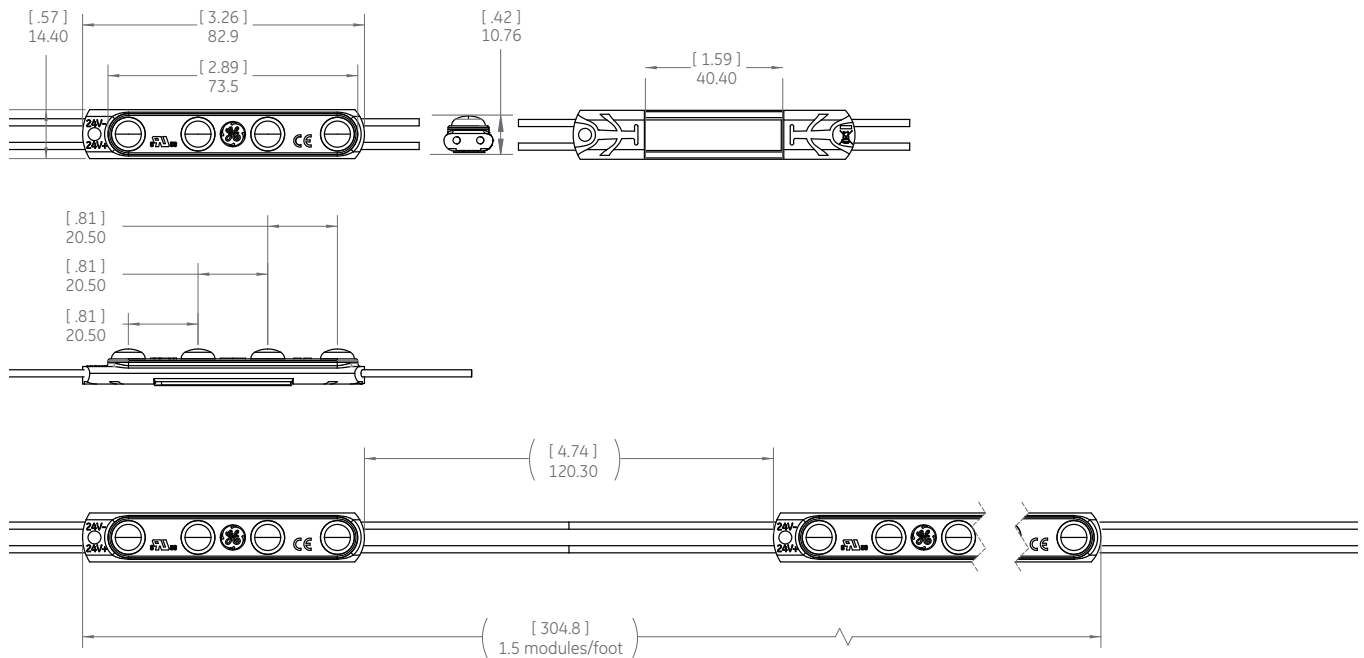
# Total Reliability

To ensure every Tetra® PowerMAX installation will operate brilliantly for years, we perform the most extensive, stringent testing in the industry. We test the LED, water and dust ingress protection, sub-system and complete system at our in-house and independent laboratories around the world. Validation of our designs, components, products and processes include high temperature, high humidity and accelerated life testing.

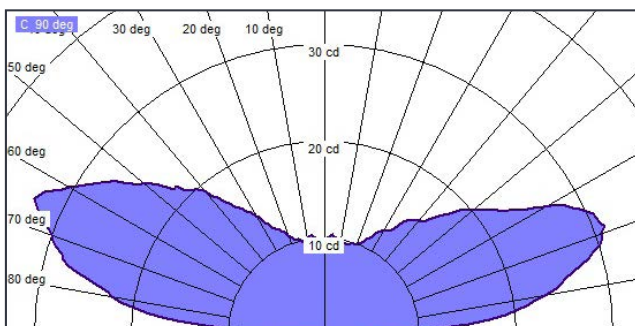


## Mechanical Outline

Dimensions in (inches). Metric equivalent mm.



## Viewing Angle



Tetra® PowerMAX

# Components

SKU	Description	Details	Color	Pkg. Quantity	Additional Information Stretched Wire
93051997	GEPM2471-W1	Tetra® PowerMAX 24V 7100K	White	5 Strips/Box	30 modules per strip
93118729	GEPM2465-W1	Tetra® PowerMAX 24V 6500K	Warm White	5 Strips/Box	30 modules per strip
93118730	GEPM2457-W1	Tetra® PowerMAX 24V 5700K	Warm White	5 Strips/Box	30 modules per strip
93051998	GEPM2450-W1	Tetra® PowerMAX 24V 5000K	Warm White	5 Strips/Box	30 modules per strip
93051999	GEPM2441-W1	Tetra® PowerMAX 24V 4100K	Warm White	5 Strips/Box	30 modules per strip
93052000	GEPM2432-W1	Tetra® PowerMAX 24V 3200K	Warm White	5 Strips/Box	30 modules per strip

# Technical Specifications

Description	Wavelength/ CCT	Typical Brightness (Lumens/module)	Typical Brightness Lumen/ft (Lumen/m)	Energy Consumption (Strip/Module)	Energy Consumption (System/Module)	Power Supply Loading	Viewing Angle
GEPM2471-W1	7100K	133	200 (656)	0.84w/module	0.988w/module	64 ft (19.5 m) /100WPS	170
GEPM2465-W1	6500K	133	200 (656)	0.84w/module	0.988w/module	64 ft (19.5 m) /100WPS	170
GEPM2457-W1	5700K	133	200 (656)	0.84w/module	0.988w/module	64 ft (19.5 m) /100WPS	170
GEPM2450-W1	5000K	133	200 (656)	0.84w/module	0.988w/module	64 ft (19.5 m) /100WPS	170
GEPM2441-W1	4100K	133	200 (656)	0.84w/module	0.988w/module	64 ft (19.5 m) /100WPS	170
GEPM2432-W1	3200K	120	180 (590)	0.84w/module	0.988w/module	64 ft (19.5 m) /100WPS	170

# Technical Specifications

Specification Item	Specification																														
LEDs/Module	4																														
LEDs/ft (LEDs/m)	6 (19.7)																														
Modules/ ft. (Modules/m)	1.5 (4.9)																														
Cutting Resolution	Cut on wire between every module																														
Power Supply	GEPS24-25-NA Input: 100-305VAC; Output: 24VDC GEPS24D-80U Input: 90-305VAC; Output: 24VDC GEPS24-100U Input: 108-305VAC; Output: 24VDC GEPS24-180U Input: 90-305VAC; Output: 24VDC GEPS24-300U Input: 108-305VAC; Output: 24VDC																														
Maximum Supply Wire Limits	<table border="1"> <thead> <tr> <th></th> <th>18 AWG/0.82 mm<sup>2</sup> Supply Wire</th> <th>16 AWG/1.31 mm<sup>2</sup> Supply Wire</th> <th>14 AWG/2.08 mm<sup>2</sup> Supply Wire</th> <th>12 AWG/3.31 mm<sup>2</sup> Supply Wire</th> </tr> </thead> <tbody> <tr> <td>25W Power Supply</td> <td>120 ft./36.6 m</td> <td>-</td> <td>-</td> <td>-</td> </tr> <tr> <td>80W Power Supply</td> <td>20 ft./6.1 m</td> <td>25 ft./7.6 m</td> <td>35 ft./10.6 m</td> <td>40 ft./12.1 m</td> </tr> <tr> <td>100W Power Supply</td> <td>20 ft./6.1 m</td> <td>25 ft./7.6 m</td> <td>35 ft./10.6 m</td> <td>40 ft./12.1 m</td> </tr> <tr> <td>180W Power Supply</td> <td>20 ft./6.1 m</td> <td>25 ft./7.6 m</td> <td>35 ft./10.6 m</td> <td>40 ft./12.1 m</td> </tr> <tr> <td>300W Power Supply</td> <td>20 ft./6.1 m</td> <td>25 ft./7.6 m</td> <td>35 ft./10.6 m</td> <td>40 ft./12.1 m</td> </tr> </tbody> </table>		18 AWG/0.82 mm <sup>2</sup> Supply Wire	16 AWG/1.31 mm <sup>2</sup> Supply Wire	14 AWG/2.08 mm <sup>2</sup> Supply Wire	12 AWG/3.31 mm <sup>2</sup> Supply Wire	25W Power Supply	120 ft./36.6 m	-	-	-	80W Power Supply	20 ft./6.1 m	25 ft./7.6 m	35 ft./10.6 m	40 ft./12.1 m	100W Power Supply	20 ft./6.1 m	25 ft./7.6 m	35 ft./10.6 m	40 ft./12.1 m	180W Power Supply	20 ft./6.1 m	25 ft./7.6 m	35 ft./10.6 m	40 ft./12.1 m	300W Power Supply	20 ft./6.1 m	25 ft./7.6 m	35 ft./10.6 m	40 ft./12.1 m
		18 AWG/0.82 mm <sup>2</sup> Supply Wire	16 AWG/1.31 mm <sup>2</sup> Supply Wire	14 AWG/2.08 mm <sup>2</sup> Supply Wire	12 AWG/3.31 mm <sup>2</sup> Supply Wire																										
	25W Power Supply	120 ft./36.6 m	-	-	-																										
	80W Power Supply	20 ft./6.1 m	25 ft./7.6 m	35 ft./10.6 m	40 ft./12.1 m																										
	100W Power Supply	20 ft./6.1 m	25 ft./7.6 m	35 ft./10.6 m	40 ft./12.1 m																										
180W Power Supply	20 ft./6.1 m	25 ft./7.6 m	35 ft./10.6 m	40 ft./12.1 m																											
300W Power Supply	20 ft./6.1 m	25 ft./7.6 m	35 ft./10.6 m	40 ft./12.1 m																											
Operating Environment	-40 °C to +60 °C																														
Module Dimensions (h x l x w)	10.76 x 82.9 x 14.4																														
Warranty	Limited system warranty of up to five (5) years																														
System Certifications	UL Recognized (C-US) #E219167, UL Classified (C-US) #E229508, CE, ROHS • IP66 rated: for dry, damp or wet location.																														