

# Tetra<sup>®</sup> LED Systems

## Power Supply



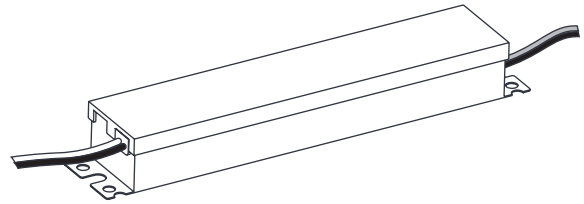
EN Instruction Guide

12  
Volt

GEPS12-60U-GL (120-277 VAC input / 12 VDC output / 60W)

### Power Supply Features

- Supports all 12 VDC Tetra Products
- UL: Class 2
- IEC: SELV



- BG** Българската версия на инструкциите за инсталация и информация за безопасност могат да бъдат намерени на следния адрес: <https://products.currentbyge.com/eu>
- CS** Návod k montáži a bezpečnostní informace v češtině najdete zde: <https://products.currentbyge.com/eu>
- DA** Den danske version af installationsvejledningen og sikkerhedsoplysninger kan findes på følgende placering: <https://products.currentbyge.com/eu>
- DE** Die deutsche Version der Installationsanleitung und Sicherheitsinformationen finden Sie in folgendem Verzeichnis: <https://products.currentbyge.com/eu>
- EL** Μπορείτε να βρείτε την ελληνική εκδοχή των οδηγιών εγκατάστασης και των πληροφοριών ασφάλειας στην εξής τοποθεσία: <https://products.currentbyge.com/eu>
- ES** La versión española de las instrucciones de instalación y la información sobre seguridad puede encontrarse en la siguiente ubicación: <https://products.currentbyge.com/eu>
- ET** Eestikeelse paigaldusjuhendi ja ohutusnõuded leiate aadressilt: <https://products.currentbyge.com/eu>
- FI** Asennusohjeiden ja turvallisuuatietojen suomenkielinen versio löytyy seuraavasta paikasta: <https://products.currentbyge.com/eu>

- FR** La version française des instructions d'installations et information de sécurité est disponible à l'adresse suivante: <https://products.currentbyge.com/eu>
- HR** Hrvatska verzija priručnika za ugradnju i sigurnosnih informacija nalazi se na sljedećoj lokaciji: <https://products.currentbyge.com/eu>
- HU** A telepítési útmutató és a biztonságai információk magyar nyelvű változata az alábbi címen található: <https://products.currentbyge.com/eu>
- IT** La versione italiana del manuale di installazione e sicurezza può essere reperita nella seguente sezione: <https://products.currentbyge.com/eu>
- LT** Lietuvišką diegimo instrukcijos ir saugos informacijos versiją galima rasti šioje vietoje: <https://products.currentbyge.com/eu>
- LV** Uzstādīšanas instrukciju un drošības informāciju latviešu valodā var atrast šeit: <https://products.currentbyge.com/eu>
- NL** De Nederlandse versie van de installatie-instructies en veiligheidsinformatie kan op de volgende locatie worden gevonden: <https://products.currentbyge.com/eu>

- PL** Polską wersję instrukcji instalacji oraz informacje dotyczące bezpieczeństwa można znaleźć w następującej lokalizacji: <https://products.currentbyge.com/eu>
- PT** A versão em Português das instruções de instalação e das informações de segurança pode ser encontrada na seguinte localização: <https://products.currentbyge.com/eu>
- RO** Versiunea în limba română a instrucțiunilor de instalare și a informațiilor de siguranță pot fi găsite la: <https://products.currentbyge.com/eu>
- SV** Ni hittar den svenska versionen av installationsanvisningarna och säkerhetsinformationen på följande plats: <https://products.currentbyge.com/eu>
- SL** Previdnostna opozorila in varnostne informacije so na zadnji strani vodnika za namestitev. Pred začetkom namestitve izdelka jih skrbno preberite: <https://products.currentbyge.com/eu>
- SK** Slovenskú verziu montážnej príručky a bezpečnostných instrukcií nájdete na nasledujúcej lokalite: <https://products.currentbyge.com/eu>

For the latest North American install guides for your product go to: <https://products.currentbyge.com/led-signage-lighting>

For the latest European install guides for your product go to: <https://products.currentbyge.com/eu>

### Save These Instructions

Use only in the manner intended by the manufacturer.  
If you have any questions, contact the manufacturer.

### Prepare Electrical Wiring **FOR UL ONLY**



#### Electrical Requirements

- Limited to use in dry and damp locations.
- The suitability of rain enclosure shall be determined if intended for wet location.
- The grounding and bonding of the LED Driver shall be done in accordance with National Electric Code (NEC) Article 600.
- Follow all National Electric Codes (NEC) and local codes.

**GE current**  
a Daintree company

**⚠ WARNING/AVERTISSEMENT**

**RISK OF ELECTRIC SHOCK**

- Disconnect power at fuse box or circuit breaker before servicing or installing product.
- Properly ground Tetra® power supply.
- AC input connections shall be suitably enclosed. The power supply shall be enclosed or made inaccessible to users during normal use.

**RISK OF FIRE**

- Minimum power supply spacing to other power supply or other heat producing component shall be at least 4" (101.6 mm) from side to side and 1" (25.4mm) from end to end.
- Use only approved wire for input/output connection. Minimum size 18 AWG (0.82 mm<sup>2</sup>).
- Follow all local codes.
- Application considerations potentially requiring additional spacing include high ambient temperature seen by the power supply, poor contact with a heat dissipating material, inadequate ventilation, or direct exposure to sun.

**RISQUES DE DÉCHARGES ÉLECTRIQUES**

- Coupez l'alimentation électrique à la boîte de fusibles ou au disjoncteur avant l'entretien ou l'installation du produit.
- Assurez-vous de correctement mettre à terre le bloc d'alimentation Tetra®.
- Les connexions d'entrée CA doivent être convenablement enfermées. Le bloc d'alimentation doit être enfermé ou rendu inaccessible aux utilisateurs pendant l'utilisation normale.

**RISQUES D'INCENDIE**

- L'espacement minimal du bloc d'alimentation par rapport à un autre bloc d'alimentation ou aux autres composants produisant de la chaleur doit être au moins 4" (101,6 mm) de chaque côté et 1" (25,4 mm) de bout en bout.
- N'utilisez que des fils approuvés pour les entrées/sorties de connexion. Taille minimum 18 AWG (0.82 mm<sup>2</sup>).
- Respectez tous les codes locaux.
- Certaines applications pourraient requérir un espacement additionnel, p. ex. une température ambiante élevée autour du bloc d'alimentation, un mauvais contact avec une matière dissipatrice de chaleur, une ventilation inadéquate ou une exposition directe au soleil.

**⚠ CAUTION/ATTENTION**

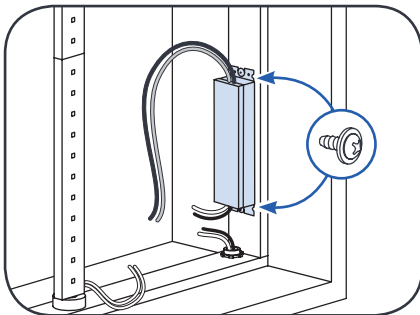
**RISK OF INJURY**

- While performing installations described, gloves, safety glasses or goggles should be worn.

**RISQUES DE BLESSURE**

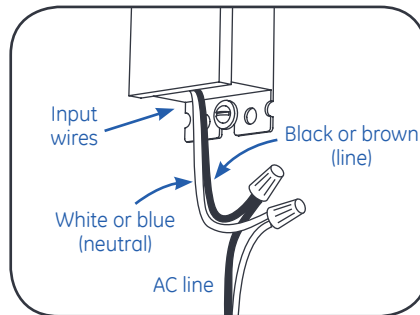
- Lors de l'exécution des installations décrites, des gants, des lunettes de sécurité ou des lunettes de protection doivent être portées.

**Power Supply Installation**



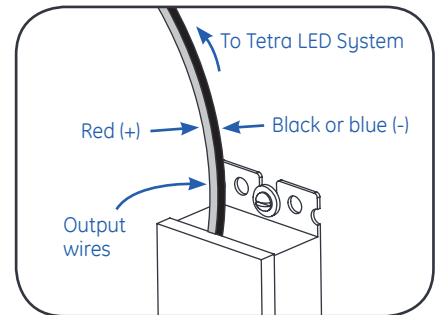
- 1** Mount the power supply. Mounting the power supply base directly to a thermally conductive installation surface can improve thermal performance.

**NOTE:** All electrical connections should be suitably protected from mechanical damage and the environment. Seal all connections exposed to water with electrical grade self-hardening silicone.



- 2** Connect the AC line to the black or brown (line) and white or blue (neutral) input wires of the power supply using suitable wire connectors.

**⚠ WARNING**  
**RISK OF ELECTRIC SHOCK**  
AC input connections shall be suitably enclosed.



- 3** Connect the supply wire that is attached to the Tetra LED System to the red (+) and black or blue (-) output wires of the power supply as outlined in the "Electrical Connections" section of your LED system's Installation Instructions.

**NOTE:** To avoid overloading this power supply with LED modules, please refer to the specific module loading guides.

**FOR UL ONLY**

**NOTE:** For installation in Canada, a disconnect switch of appropriate rating needs to be placed within 29.5 feet (9 meters) of primary side of the power supply. The switch voltage rating shall not be less than the branch circuit voltage. The switch must also support twice the amount of input current.

**FOR UL ONLY**

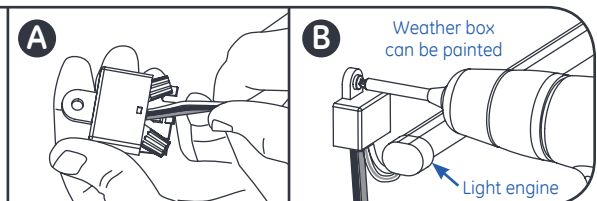
**NOTE:** When installing power supply, connect to the appropriate sized building breaker or disconnect device for line, neutral and ground connections, in accordance with National Electric Code (NEC) Article 600 and all local regulations.

**OPTIONAL**

A Weather Box (GEXNWB2) may be used to house and seal Class 2 connections.

A) Insert wire connectors into weather box. Fill with electrical grade silicone and close box.

B) Secure the weather box using a #6 or #8 (M2 or M3) screw.



## Power Supply Specifications

Performance Data	Min	Typical	Max
Input Voltage (VAC)	108	120-277	305
Input Frequency (Hz)	-	50/60	-
Input Current (A)	-	-	0.65
THD	-	-	20
PF	0.9	-	-
Output Voltage (VDC)	11.0	12.0	13.0
Output Current (ADC)	-	-	5.0
Output Power (W)	-	-	60
Environmental Operating Temperature Range	-40°C	+25°C	+60°C*
Environmental Humidity (non-condensing)	10%	-	90%
Environmental Storage Temperature Range	-40°C	-	+85°C
Environmental Rating	IP66 rated: must be protected from direct exposure to the weather		
Dimensions	9.5 in. x 1.7 in. x 1.1 in. (241 mm x 43.2 mm x 28 mm)		

\*Maximum case temperature is 85°C

## Troubleshooting

Symptom	Solution
All letters are OFF	<ul style="list-style-type: none"> <li>Recycle AC power, turn it off, then turn on again.</li> <li>If still off, check the power supply DC output voltage using a voltmeter. It should be nominally 12V.               <ul style="list-style-type: none"> <li>» If there is DC output, inspect and correct all DC wire damage/polarity issues; If no issue is found, replace the OFF-module string.</li> <li>» If there is no DC output, have a licensed electrician check the input AC voltage and if there is correct AC voltage, replace the power supply.</li> <li>» If there is no AC voltage, correct the upstream AC issue.</li> </ul> </li> </ul>
Some LEDs appear dim	<ul style="list-style-type: none"> <li>Ensure the overall length of the Tetra® LED System does not exceed the maximum load.</li> <li>Ensure the length of supply wire is equal to or below the recommended remote mounting distance.</li> </ul>
Some of the letters are not illuminated	<ul style="list-style-type: none"> <li>Inspect and correct the wires of the non-illuminated letters for damage/polarity issues; If no issues are found, see the troubleshooting solution for "All letters are OFF."</li> </ul>
Shadows	<ul style="list-style-type: none"> <li>Re-route supply wire and secure to the back of the can with electrical grade RTV silicone. Adjust wire connector orientation so that it does not cover any LEDs.</li> <li>Adjust LED layout to ensure uniformity of illumination of the face of the letter.</li> </ul>

This device complies with part 15 of the FCC Rules. Operation is subject to the following two conditions: (1) This device may not cause harmful interference, and (2) this device must accept any interference received, including interference that may cause undesired operation.

**Note:** This equipment has been tested and found to comply with the limits for a Class A digital device, pursuant to part 15 of the FCC Rules. These limits are designed to provide reasonable protection against harmful interference when the equipment is operated in a commercial environment. This equipment generates, uses, and can radiate radio frequency energy and, if not installed and used in accordance with the instruction manual, may cause harmful interference to radio communications. Operation of this equipment in a residential area is likely to cause harmful interference in which case the user will be required to correct the interference at his own expense.

This Class [A] RFLD complies with the Canadian standard ICES-005. Ce DEFR de la classe [A] est conforme à la NMB-005 du Canada.

This product is intended to be used as a lamp control gear that is installed after the mains control switch.

Conforms to the following standards:

