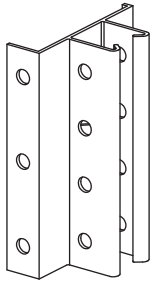
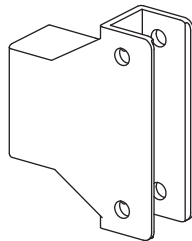


Tetra® Snap Accessories

LED Lighting System



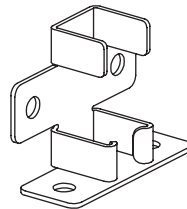
Interconnector



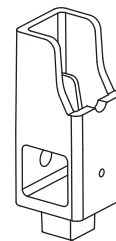
T-connector



Socket endcap



Frame endcap

Dual rail
socket endcap

Plastic clip



Metal clip



BEFORE YOU BEGIN

Read these instructions completely and carefully.

BG Българската версия на инструкциите за инсталация и информация за безопасност могат да бъдат намерени на следния адрес: <https://products.currentbyge.com/eu>

CS Návod k montáži a bezpečnostní informace v češtině najdete zde: <https://products.currentbyge.com/eu>

DA Den danske version af installationsvejledningen og sikkerhedsoplysninger kan findes på følgende placering: <https://products.currentbyge.com/eu>

DE Die deutsche Version der Installationsanleitung und Sicherheitsinformationen finden Sie in folgendem Verzeichnis: <https://products.currentbyge.com/eu>

EL Μπορείτε να βρείτε την ελληνική εκδοχή των οδηγιών εγκατάστασης και των πληροφοριών ασφάλειας στην εξής τοποθεσία: <https://products.currentbyge.com/eu>

ES La versión española de las instrucciones de instalación y la información sobre seguridad puede encontrarse en la siguiente ubicación: <https://products.currentbyge.com/eu>

ET Eestikeelse paigaldusjuhendi ja ohutusnõuded leiate aadressilt: <https://products.currentbyge.com/eu>

FI Asennusohjeiden ja turvallisuustietojen suomenkielinen versio löytyy seuraavasta paikasta: <https://products.currentbyge.com/eu>

FR La version française des instructions d'installations et information de sécurité est disponible à l'adresse suivante: <https://products.currentbyge.com/eu>

HR Hrvatska verzija priručnika za ugradnju i sigurnosnih informacija nalazi se na sljedećoj lokaciji: <https://products.currentbyge.com/eu>

HU A telepítési útmutató és a biztonság információk magyar nyelvű változata az alábbi címen található: <https://products.currentbyge.com/eu>

IT La versione italiana del manuale di installazione e sicurezza può essere reperita nella seguente sezione: <https://products.currentbyge.com/eu>

LT Lietuvišką diegimo instrukcijos ir saugos informacijos versiją galima rasti šioje vietoje: <https://products.currentbyge.com/eu>

LV Uzstādīšanas instrukciju un drošības informāciju latviešu valodā var atrast šeit: <https://products.currentbyge.com/eu>

NL De Nederlandse versie van de installatie-instructies en veiligheidsinformatie kan op de volgende locatie worden gevonden: <https://products.currentbyge.com/eu>

PL Polską wersję instrukcji instalacji oraz informacje dotyczące bezpieczeństwa można znaleźć w następującej lokalizacji: <https://products.currentbyge.com/eu>

PT A versão em Português das instruções de instalação e das informações de segurança pode ser encontrada na seguinte localização: <https://products.currentbyge.com/eu>

RO Versiunea în limba română a instrucțiunilor de instalare și a informațiilor de siguranță pot fi găsite la: <https://products.currentbyge.com/eu>

SV Ni hittar den svenska versionen av installationsanvisningarna och säkerhetsinformationen på följande plats: <https://products.currentbyge.com/eu>

SL Previdnostna opozorila in varnostne informacije so na zadnji strani vodnika za namestitev. Pred začetkom namestitve izdelka jih skrbno preberite: <https://products.currentbyge.com/eu>

SK Slovenskú verziu montážnej príručky a bezpečnostných instrukcií nájdete na nasledujúcej lokalite: <https://products.currentbyge.com/eu>

For the latest North American install guides for your product go to: <https://products.gecurrent.com/led-signage-lighting>

For the latest European install guides for your product go to: <https://products.gecurrent.com/eu/led-signage-lighting>

⚠ CAUTION / ATTENTION

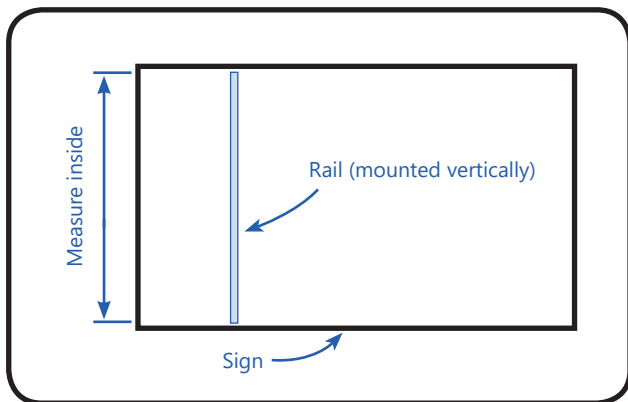
RISK OF INJURY

• While performing installations described, gloves, safety glasses or goggles should be worn.

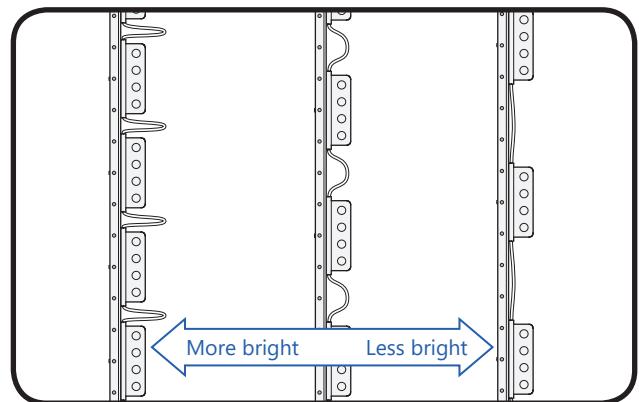
RISQUE DE BLESSURE

• Lors de l'exécution des installations décrites, des gants, des lunettes de sécurité ou des lunettes de protection doivent être portées.

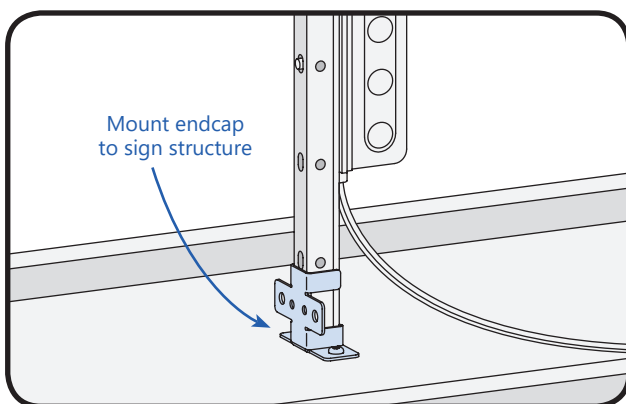
Installation Using Tetra® Snap Rails



- 1 Measure and cut Tetra® Snap Rail to appropriate length to fit into sign. For retrofitting a sign, see page 6.



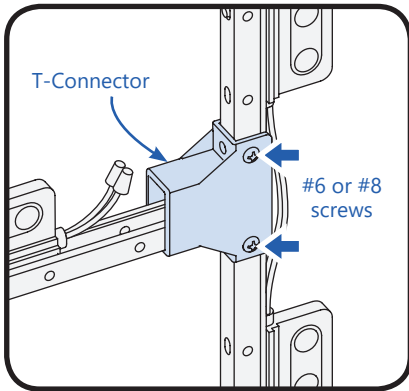
- 2 Evenly space modules across the Tetra® Snap Rail. Refer to the applicable module or clip instructions for the module installation method. Different brightness levels can be achieved depending on module spacing.



- 3 Secure the Tetra® Snap Rail to the inside of the box sign using the standard Tetra® Snap Frame Endcaps or other suitable means.

Tetra® Snap Accessories

Using Tetra® Snap T-Connectors

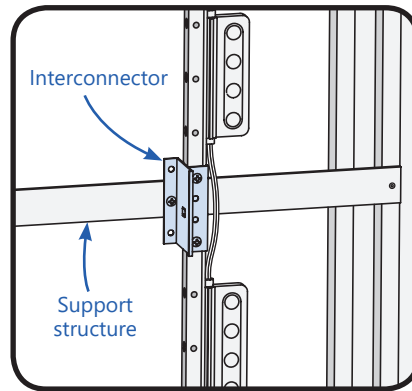


Use a Tetra® Snap T-Connector to join rails perpendicular to each other.

Use #6 or #8 screw to attach T-Connector to side of rail.

NOTE: T-Connector must be secured with screws to the mounting rail.

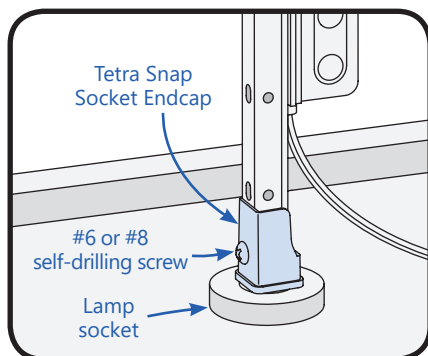
Using Tetra® Snap Interconnectors



Use a Tetra® Snap Interconnector to join two rails and create longer runs.

NOTE: Runs must be secured with screws to supporting structure at intervals no greater than 8 feet (2.43 m).

Using Tetra® Snap Socket Endcap



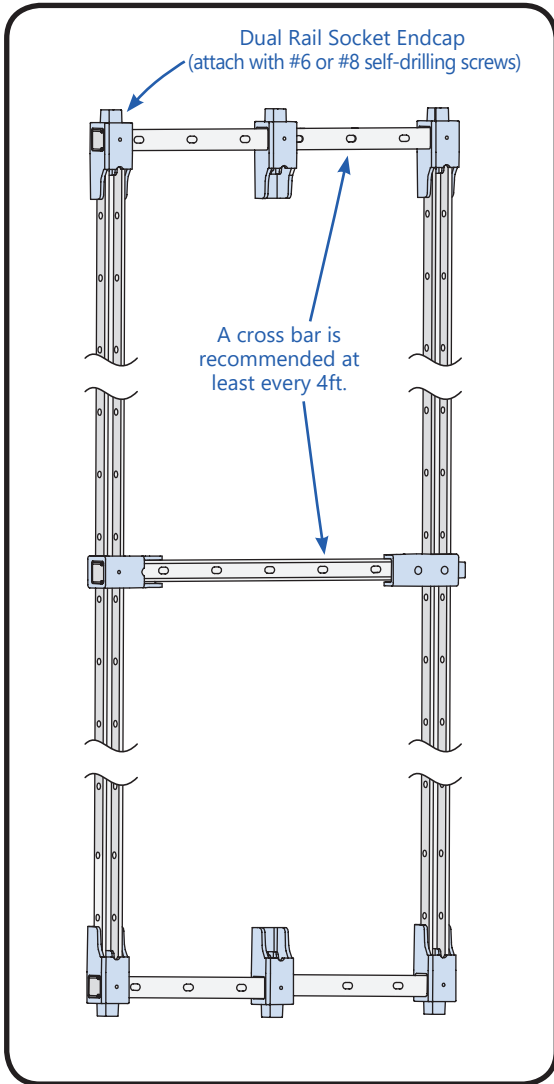
When retrofitting a sign, ensure the rail is cut to the appropriate length to properly seat in the lamp socket, and use Tetra® Snap Socket Endcaps to secure rails to existing lamp sockets.

NOTE: When utilized, ensure the rail is properly seated in the lamp sockets. For horizontal installations greater than 5 ft. in length, the rail assembly should be centrally supported.

Tetra® Snap Nominal LFL Rail Length Requirements

Nominal T12 Tube Length	Nominal Rail Cut Length
1.5 ft.	15" (381.5mm)
2 ft.	21" (533.1mm)
2.5 ft.	27" (685.8mm)
3 ft.	33" (837.9mm)
3.5 ft.	39" (990.6mm)
4 ft.	45" (1142.7mm)
5 ft.	57" (1447.5mm)
5.33 ft.	61" (1549.5mm)
6 ft.	69" (1752.3mm)
7 ft.	81" (2057.1mm)
8 ft.	93" (2361.9mm)

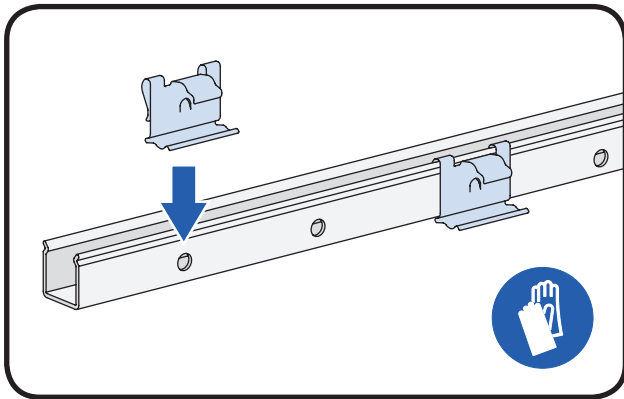
Using Tetra® Snap Dual Rail Socket Endcap



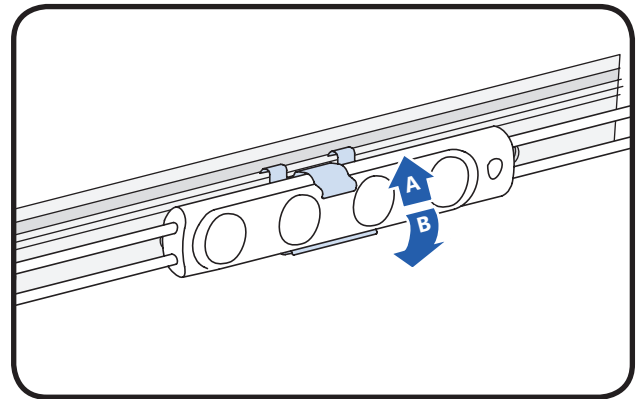
**Tetra® Snap Dual Rail Socket Endcap
Nominal LFL Rail Length Requirements**

Nominal T12 Tube Length	Nominal Rail Cut Length
1.5 ft.	13.7" (349mm)
2 ft.	19.7" (502mm)
2.5 ft.	25.7" (654mm)
3 ft.	31.7" (806mm)
3.5 ft.	37.7" (959mm)
4 ft.	43.7" (1111mm)
5 ft.	55.7" (1416mm)
5.33 ft.	59.7" (1518mm)
6 ft.	67.7" (1721mm)
7 ft.	79.7" (2026mm)
8 ft.	91.7" (2330mm)

Using Tetra® Snap Metal Clips



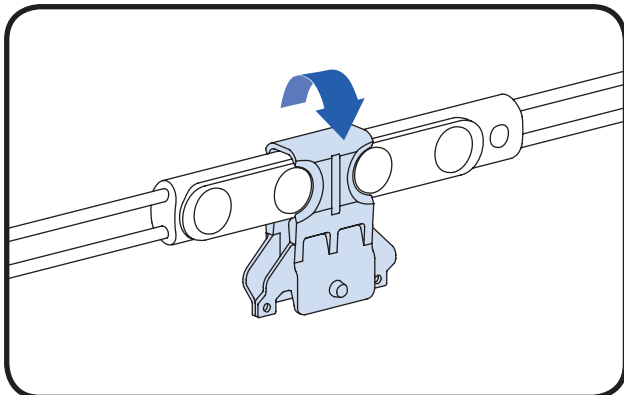
- 1 Slide metal clip over the rail. Be sure it engages with the round side hole.



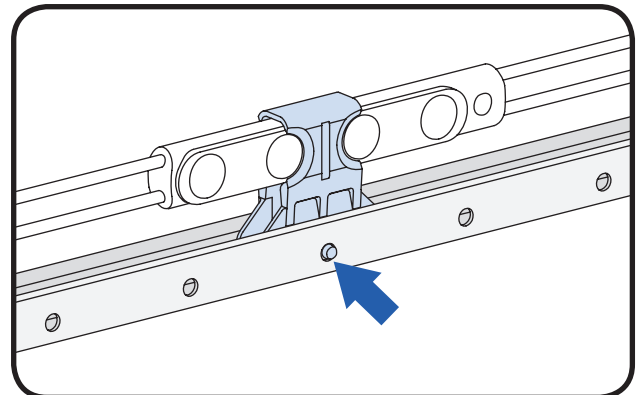
- 2 A) Push module into top of clip.
B) Rotate module down until it snaps into place.

NOTE: Metal Clip is compatible with Tetra MiniMax, Max, PowerMax and PowerMaxHO families.

Using Tetra® Snap Plastic Clips



- 1 Fold plastic clip around module.



- 2 Squeeze and insert plastic clip into the rail. Be sure to engage with the side holes in the rail.

NOTE: Plastic Clip compatible with Tetra PowerMax and PowerMax HO modules only.