



READ THOROUGHLY BEFORE INSTALLING

Save instructions for future use.

WARNING

Risk of electric shock

- Turn power off before servicing
- see instructions

CAUTION

Risk of injury

- Wear safety glasses and gloves during installation and servicing

GENERAL

This luminaire is designed for outdoor applications and must adhere to 25°C (77°F) maximum ambient temperature limitation.

Make all electrical connections in accordance with the National Electric Code and any applicable local code requirements.

MOUNTING

CAUTION

Unit will fall if not installed properly

- Follow installation instructions

1. Place unit on 3" diameter x 3" long tenon.
2. Torque set screws to 10-12 ft-lbs.

GLOBE REMOVAL/INSTALLATION

1. Remove globe by rotating counter-clockwise approximately 90° and raising off locking ring (see Figure 1)

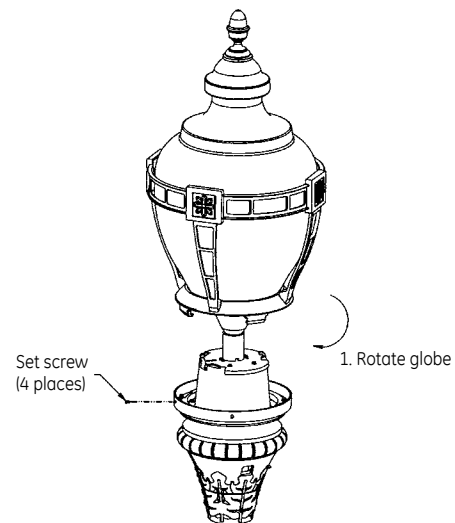
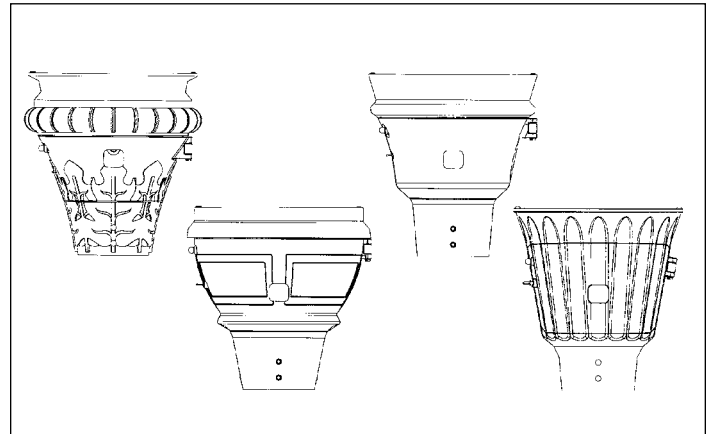


Figure 1

2. Install lamp (see Lamp Section).
3. Access to optional internal louver/shielding is available with globe removed. Orient shielding such that light blocked in direction intended.
4. Replace globe by lowering into locking ring and rotating 90° clockwise. Verify that orientation of globe is correct. For proper orientation, see "Street/house side" label on globes so equipped.
5. Install set screws (found in pack) for tamper resistant or 2G applications.

BALLAST ACCESS

1. Access to ballast and capacitor is available by removal of ballast cap under lamp socket (see Figure 2)

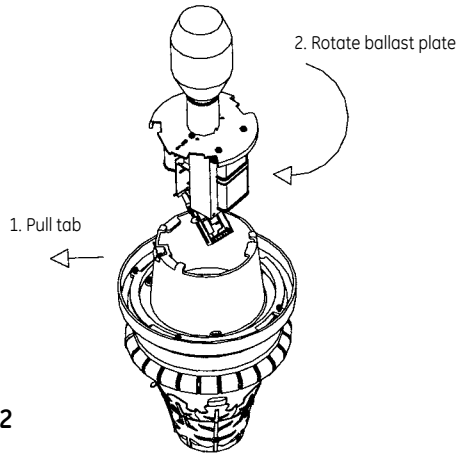


Figure 2

2. To remove ballast assembly, remove lamp then depress spring clip away from socket and rotate ballast cap counter-clockwise approximately 5 degrees.
3. Lift ballast cap and attached components.
4. Verify supply voltage is the same as the ballast's rated input voltage.
 - I. Single voltage ballast are pre-wired per ordering instructions and user need only connect supply conductors to ballast leads or terminal block (if so supplied)
 - II. Multi-volt (120/208/240/277 volts) ballasts are not connected. Connect the black lead to the ballast lead of the desired voltage.
 - III. Multi-watt ballasts are available in various combinations of wattages. See wiring instructions on wiring tag inside the luminaire.
5. To replace, lower ballast assembly into fixture, rotate until clip snaps into place.

ACCESS DOOR

1. Access to ignitor, terminal board, fusing and photo control is through the access door (Figure 3).

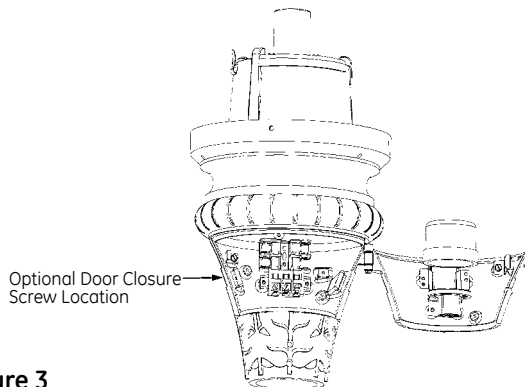
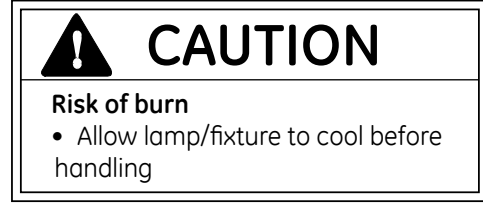


Figure 3

2. Press button and pull forward to open door.
3. Connect input power leads to terminal block or ballast leads.
4. Replace ignitor, fuses and photo control with same type and rating.
5. Close door until locked.

LAMP



Use only lamps specified on nameplate. Observe lamp manufacturer's recommendations and restriction on lamp operation; particularly ballast type, burning position, etc.

See Globe instructions for lamp access information.

Lamp tightness- Mogul base lamps should be securely inserted to NEMA-EEI specified torque of 35 inch-pounds, which is best achieved by very firmly tightening to insure application of sufficient torque. Tightening must be sufficient to fully depress and load center contact of socket for both medium and mogul base lamps.

Lamp Tightness- Medium Base Lamp: Lamp should be tightened to a light firmness sufficient to depress the center contact of the socket.

Note: Use of lubricants on lamp base or socket can cause rapid lamp failure and voids fixture warranty.

MAINTENANCE

Occasional cleaning of the globe is required to maintain light levels. Frequency of cleaning will depend on ambient dirt levels and minimum light level which is acceptable to user. The globe should be washed in a solution of warm water and mild, nonabrasive household detergent, rinsed with clean water and wiped dry.

Light output of the luminaire is dependant on the operating hours on the lamp. In applications where the light level is critical, it may be desirable to replace lamps before they burn out. The lamp manufacturer can provide data showing how the lamp light output decreases with use.



GE Lighting Solutions • 1-888-MY-GE-LED • www.gelightsolutions.com

1-888-69-43-533

GE Lighting Solutions is a subsidiary of the General Electric Company. Evolve and other trademarks belong to GE Lighting Solutions. The GE brand and logo are trademarks of the General Electric Company. © 2011 GE Lighting Solutions. Information provided is subject to change without notice. All values are design or typical values when measured under laboratory conditions.