



Evolve[®]

LED Post Top Lighting

Salem Post Top (EPST)



GE current
a Daintree company

Evolve®

LED Post Top Lighting

Salem Post Top (EPST)

The **Evolve® LED Salem Post Top** offers energy efficiency and quality of light in a classic, utility carriage look and style. The advanced LED optical system provides improved horizontal and vertical uniformity, reduced glare and improved lighting control. GE's unique optical ring technology effectively aims the light where you need it, while eliminating the unsightly shadow circles commonly seen under other LED post top fixtures.



The Salem post top can yield up to a 60-percent reduction in system energy compared with standard HID systems, depending on applications. This reliable system operates well in cold temperatures and offers more than 20 years of service life to reduce maintenance frequency and expense, based on a 100,000 hour life and 12 hours of operation per day.

Features:

- Optimized photometric distributions.
- **Evolve®** light engine consisting of nested concentric directional reflectors designed to optimize application efficiency and minimize glare.
- 70 CRI at 3000K and 4000K typical
- -40°C to 50°C UL Ambient
- Designed and Assembled in USA

Applications:

- Local Roadways
- Parks and Pathways
- Antique Streetscapes
- University and Business Campuses



To learn more about **Evolve EPST Salem Post Top**, go to: www.LED.com

Evolve®

LED Post Top Lighting

Salem Post Top (EPST)



Project name _____

Date _____

Type _____

Typical Specifications: EPST

LED & Optical Assembly

- **Output Range:** 2,800 – 8,900 lm
- **Photometric Options:**
 - Symmetric Type V
 - Asymmetric Type III
- **System Efficacy:** 99 - 114 LPW
- **CCT:** 3000K, 4000K; High brightness LEDs @ 70 CRI

Lumen Maintenance Table

- Projected Lxx per IES TM-21 at 25 °C for reference:

SKU	Lxx (10k) @ Hours		
	25,000 hr	50,000 hr	100,000 hr
EPST	L97	L96	L94

Note: Projected Lxx based on LM80 (100,000 hour testing).

Lumen Ambient Temperature Factors:

Ambient Temp (°C)	Initial Flux Factor
10	1.02
20	1.01
25	1.00
30	0.99
40	0.98

Electrical

- **Input Voltage:** 120-277V or 347-480V
- **Input Frequency:** 50/60Hz
- **Power Factor (PF)*:** ≥0.90
- **Total Harmonic Distortion (THD)*:** ≤20%

* System PF and THD specified at rated watts

Ratings

- **Safety:** UL/cUL listed per UL1598, suitable for wet locations.
- **Intrusion Protection (IP):** IP65 rated optical enclosure per ANSI C136.25-2009.
- **Sound:** Class "A" rating.
- **Surge Protection:** per ANSI C136.2-2015
(Driver Internal):
 - 6kV/3kA "Basic: (40 Strikes)" – Standard(Additional Secondary SPD):
 - 10kV/5kA "Enhanced (40 Strikes)" – Option R
- **Environmental:** Complies with the material restrictions of RoHS
- **EMI:** Title 47CFR Part 15 Class A
- **Vibration:** 2.0G per ANSI C136.41-2010
- LM-79 testing in accordance with IESNA standards.
- **Operating Temperature:** -40 °C to + 50 °C

Construction & Finish

- **Housing:**
 - Diecast aluminum housing.
 - Internal heat sink ensuring maximum heat transfer for long LED life.
 - Cupola compatible with C136.10 PE's and Shorting Caps and LightGrid™ 2.0 node.
- **Lensing:** UV resistant polymer lens
- **Paint:** Corrosion resistant polyester powder paint, minimum 2.0 mils thickness.
 - Standard colors: Black, Dark Bronze
 - RAL & custom colors available
- **Weight:** 23 lbs. (10.4 kgs.) – 24 lbs. (10.9 kgs)

Warranty

- **System Warranty:** 5 Year Standard, 10 Year Optional

Controls

(Connected via 7-Pin C136.41 receptacle)

- **Dimming:**
 - Standard 0-10V
 - Optional DALI
- **Sensors:**
 - Photo-electric sensors (PE) available for all voltages
 - LightGrid™ 2.0 compatible

Mounting

- Post top mounting for 3-inch (76mm) OD by 3-inch vertical tenon secured with three square head set screws.



International Dark Sky Association listed. 3000K must be selected to meet IDA certification and approval.

Evolve®

LED Post Top Lighting

Salem Post Top (EPST)

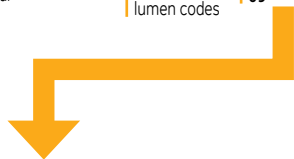


Project name _____
 Date _____
 Type _____

Ordering Number Logic

EPST 02 - - - - - A - - - - -

PROD. ID	GENERATION (VERSION)	VOLTAGE	LUMEN OUTPUT	DISTRIBUTION	CCT	CONTROLS ANSI C136.41 7 PIN PE RECEPTACLE	TOP TYPE	COLOR	OPTIONS
E = Evolve	02 = GEN 2	0 = 120-277 5 = 480** D = 347** H = 347-480**	03 04 05 06 07 08 09	A = Symmetric Type V B = Asymmetric Type III	30 = 3000K<> 40 = 4000K <> Select 3000K CCT for IDA approved units	1 = None A = PE Receptacle D = PE Receptacle with Shorting Cap E = PE Receptacle with non-dimming PE in box*	A = Salem	BLCK = Black DKBZ = Dark Bronze	R = Secondary 10KV/5KA SPD U = DALI* XXX = Special Options * Not available for 5, D, & H voltages
P = Post Top		**Not available for 03 thru 06 lumen codes							
S = Salem									
T = Traditional									



DISTRIBUTION CODE	OPTICAL CODE	TYPICAL INITIAL LUMENS		TYPICAL SYSTEM WATTAGE		BUG RATINGS		IES FILE NUMBERS					
		4000K	3000K	120-277V & 347-480V		4000K	3000K	4000K		3000K			
								120-277V	347-480V	120-277V	347-480V		
A Symmetric Type V	03	3000	2800	27	N/A	B2-U2-G1	B2-U1-G1	EPST02_03A40_-120-277V.IES		EPST02_03A30_-120-277V.IES			
	04	4000	3800	35	N/A	B2-U2-G1	B2-U2-G1	EPST02_04A40_-120-277V.IES		EPST02_04A30_-120-277V.IES			
	05	4900	4600	43	N/A	B3-U2-G1	B3-U2-G1	EPST02_05A40_-120-277V.IES		EPST02_05A30_-120-277V.IES			
	06	6100	5700	54	N/A	B3-U2-G1	B3-U2-G1	EPST02_06A40_-120-277V.IES		EPST02_06A30_-120-277V.IES			
	07	7000	6600	65		B3-U2-G1	B3-U2-G1		EPST02_07A40_.IES		EPST02_07A30_.IES		
	08	7900	7500	74		B3-U2-G2	B3-U2-G1		EPST02_08A40_.IES		EPST02_08A30_.IES		
B Asymmetric Type III	03	3000	2800	27	N/A	B1-U2-G1	B1-U1-G1	EPST02_03B40_-120-277V.IES		EPST02_03B30_-120-277V.IES			
	04	4000	3800	35	N/A	B1-U2-G1	B1-U2-G1	EPST02_04B40_-120-277V.IES		EPST02_04B30_-120-277V.IES			
	05	4900	4600	43	N/A	B1-U2-G2	B1-U2-G1	EPST02_05B40_-120-277V.IES		EPST02_05B30_-120-277V.IES			
	06	6100	5700	54	N/A	B1-U2-G2	B1-U2-G2	EPST02_06B40_-120-277V.IES		EPST02_06B30_-120-277V.IES			
	07	7000	6600	65		B1-U2-G2	B1-U2-G2		EPST02_07B40_.IES		EPST02_07B30_.IES		
	08	7900	7500	74		B2-U2-G2	B2-U2-G2		EPST02_08B40_.IES		EPST02_08B30_.IES		
09	8900	8400	85		B2-U2-G2	B2-U2-G2		EPST02_09B40_.IES		EPST02_09B30_.IES			

Evolve®

LED Post Top Lighting

Salem Post Top (EPST)



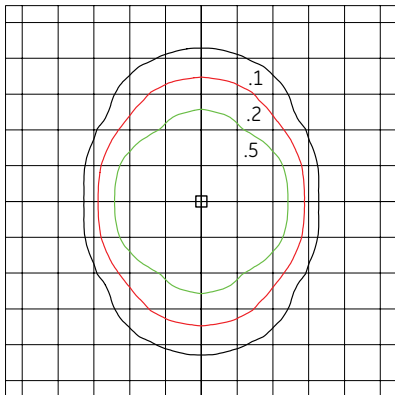
Project name _____

Date _____

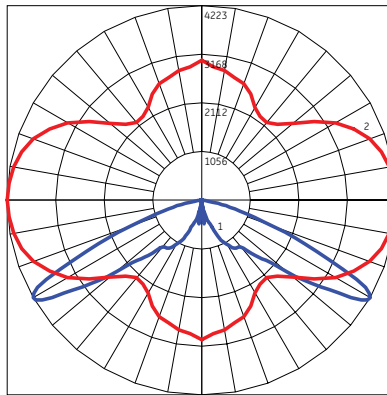
Type _____

Photometrics

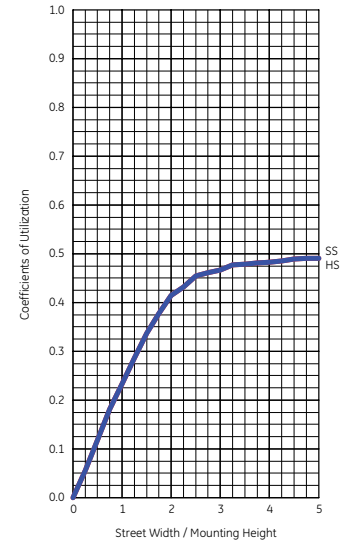
EPST02*A40 – Symmetric (Type V)**
8,900 Lumens, 4000K



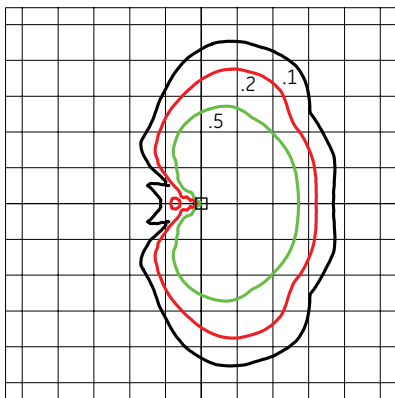
Grid Distance in Units of Mounting Height at 16'
 Initial Footcandle Values at Grade



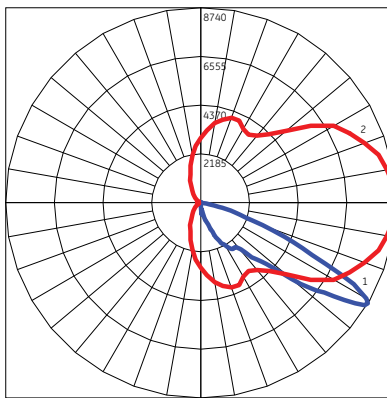
— Vertical plane through horizontal angle of Max. Cd at 0°
 — Horizontal cone through vertical angle of Max. Cd at 60°



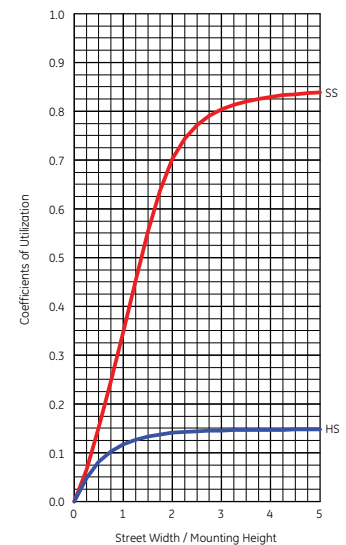
EPST02*B40 – Asymmetric (Type III)**
8,900 Lumens, 4000K



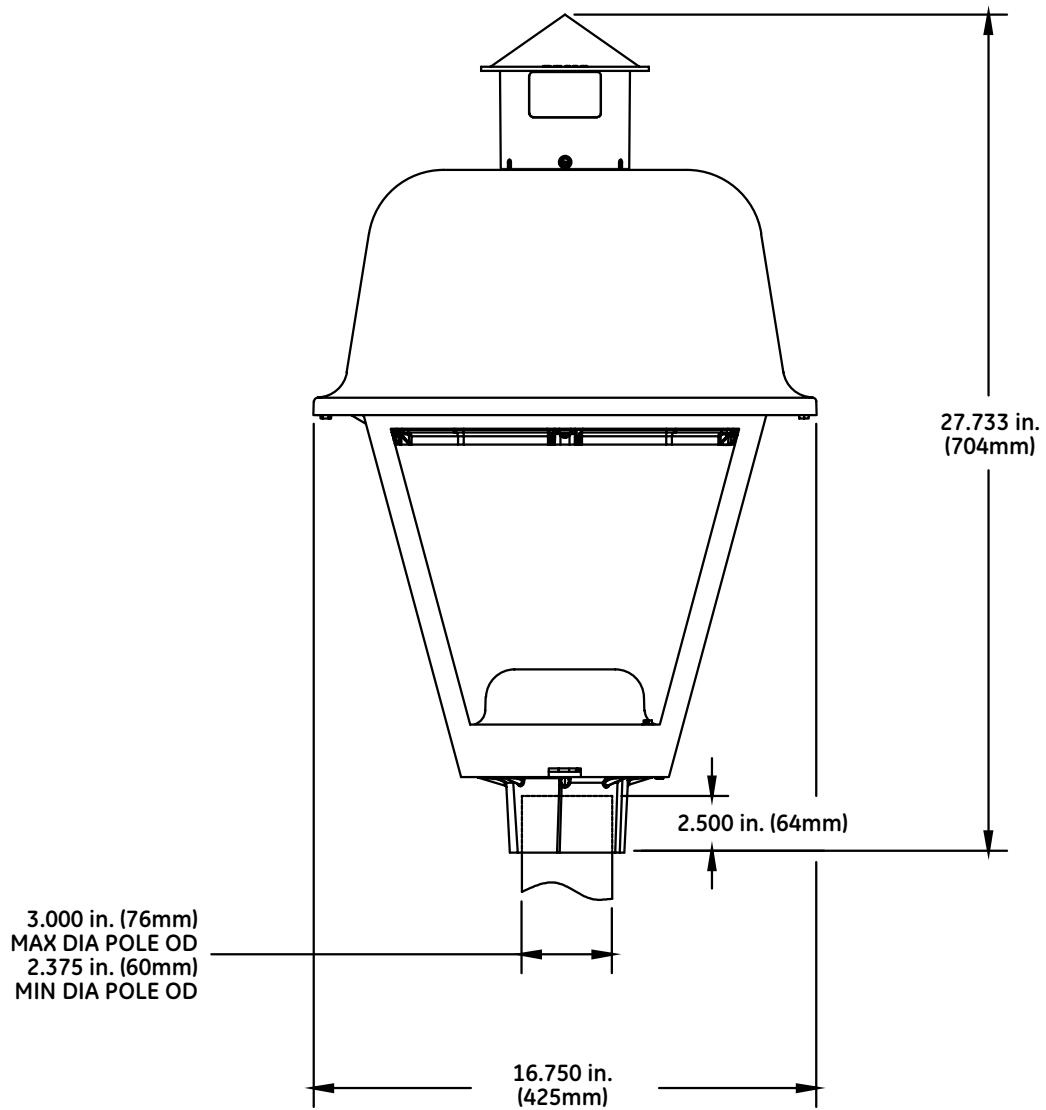
Grid Distance in Units of Mounting Height at 16'
 Initial Footcandle Values at Grade



— Vertical plane through horizontal angle of Max. Cd at 0°
 — Horizontal cone through vertical angle of Max. Cd at 59°



Product Dimensions



DATA

- Approximate Net Weight: 23 lbs (10.4 kgs) - 24 lbs (10.9 kgs)
- Suggested Mounting Height: 8-16 ft max (2.5-5 m)
- Effective Projected Area (EPA): 1.6 sq ft max (0.15 sq m)