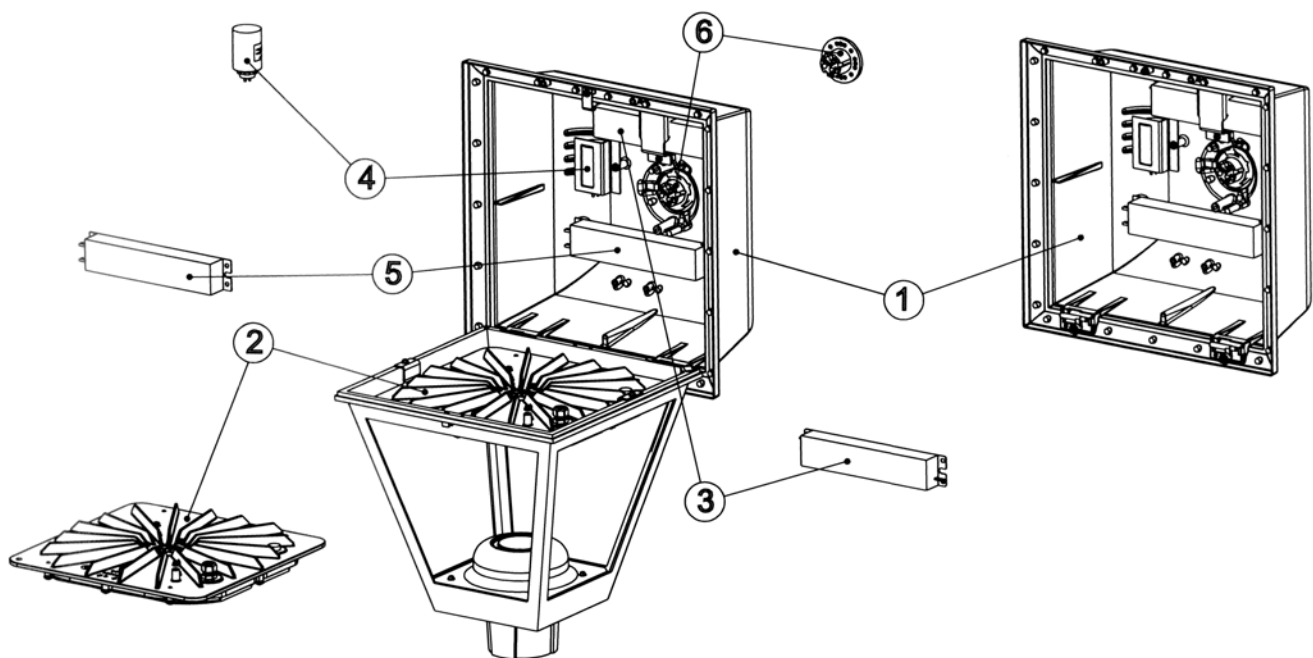


Evolve™ LED Post Top

Salem™ (EPST)

- Ordering information for GE Lighting Solutions Renewal Parts
- Illustrations shown are typical representations



imagination at work

Salem™ (EPST) – Continued

EVOLVE™ LED POST TOP LIGHTING, SALEM™ (EPST)

ORDERING INFORMATION FOR GE LIGHTING SOLUTIONS RENEWAL PARTS

REF. NO.	DESCRIPTION	VOLTAGE	PE	COLOR	CATALOG NUMBER
1	Top Housing Assembly	120-277	Yes	Black	35-964120-01
	Top Housing Assembly	120-277	No	Black	35-964120-02
	Top Housing Assembly	347-480	Yes	Black	35-964120-03
	Top Housing Assembly	347-480	No	Black	35-964120-04

REF. NO.	DESCRIPTION	LIGHT DISTRIBUTION	LIGHT OUTPUT	COLOR	CATALOG NUMBER
2	Light Engine	B5 Symmetric	5000 lm	Black	35-964120-05
	Light Engine	B3 Asymmetric Wide	5000 lm	Black	35-964120-06
	Light Engine	D5 Symmetric	2500 lm	Black	35-964120-07
	Light Engine	D3 Asymmetric Wide	2500 lm	Black	35-964120-08
3	Drive Sub Assembly				35-964120-09
4	Surge Protector	(120-277)			35-964120-10
	Surge Protector	(347-480)			35-964120-11
5	Transformer Sub Assembly				35-964120-12
6	PE Receptacle Assembly w/Leads				35-964960-55



GE Lighting Solutions • 1-888-MY-GE-LED • www.gelightingsolutions.com

1-888-69-43-533

GE Lighting Solutions, LLC is a subsidiary of the General Electric Company. Evolve and the GE brand and logo are trademarks of the General Electric Company.
© 2011 GE Lighting Solutions, LLC. Information provided is subject to change without notice. All values are design or typical values when measured under laboratory conditions.